

Projix 1650mm Inset Bath

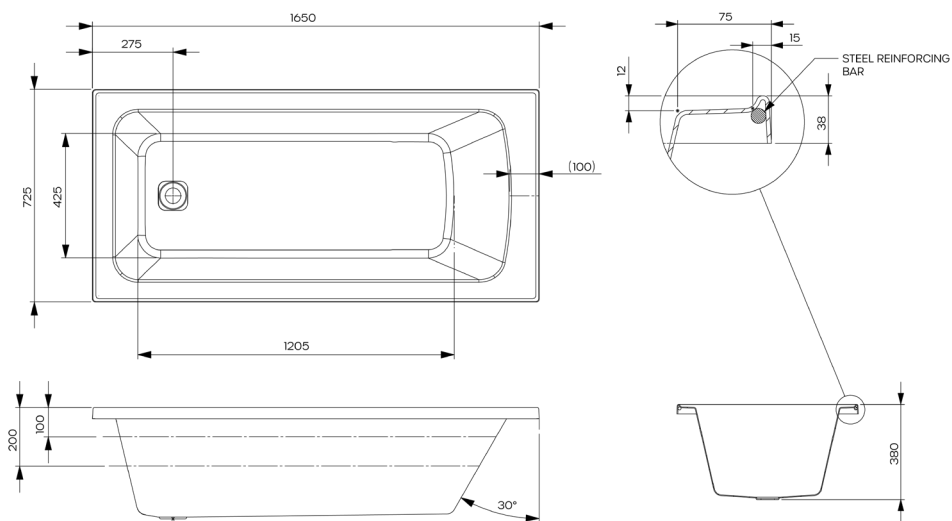
Product Code: 182536

Product Specifications

Place of Manufacture	Australia
Installation Type	Inset
Size	1650 x 725 x 380mm
Capacity	182L (100mm below rim)
Construction	4 edge tile bead Self supporting base Steel reinforced rim
Material	Sanitary grade acrylic
Finish	High gloss white
Waste Position	End waste
Shape	Rectangular
Plug & Waste	Not included
Overflow	No
Compliance	AS 1172.5:2019



Product Technical Drawing



Limited Warranty
(visit raymor.com.au for full warranty details)

For more information call 1800 729 667 or visit raymor.com.au

© Registered trademark of Tradelink. All dimensions given are approximate and should be checked prior to installation. See raymor.com.au for full warranty details.

Raymor®