

# Black Glass and Stainless Steel Wall Mounted Rangehood 90cm



## Model: RHSCK92

- Stainless steel and Black Krystal glass construction
- ESTC Electronic Sensor Touch Controls
- 90cm wall-mounted rangehood
- Black glass control panel
- High Performance 1150m<sup>3</sup>/h, 3 extraction speeds, Noise 63dbA
- Stainless steel baffle filters, with non return external air protection
- Two 1.5w LED lamps
- Optional carbon filters available for recirculating installation – Order KMCF200
- This appliance comes with a 10A plug and cord ready for plug in and use
- 150mm diameter air venting



Low Energy Motor



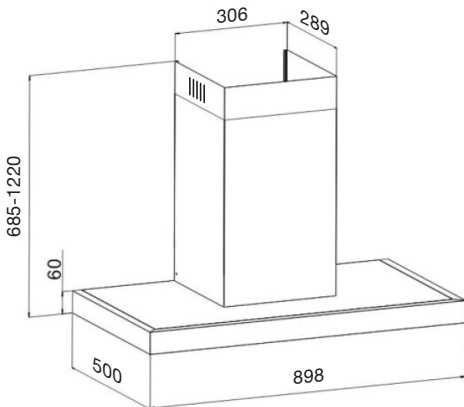
Stainless Steel Baffle Filters



10A Plug Ready to use



ESTC



These dimensions are provided as a general guide only and should not be used for designing or constructing cabinetry or for installation.

To obtain full installation instructions for this appliance go to [kleenmaid.com.au](http://kleenmaid.com.au) and click on User Care Manuals, top right.



Fineline :TBA

J14286\_03