

Axle®

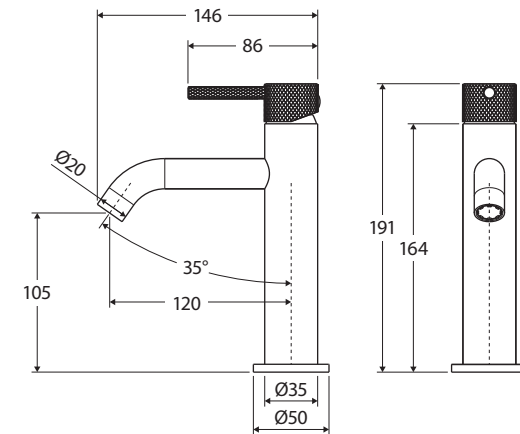
BASIN MIXER

Features

WELS 5 Star rated, 5L/min

- Unique industrial cross-hatched handle
- Curved outlet
- Made from solid brass
- High quality European cartridge (25 mm)
- PEX split-resistant hoses

Please note: This product may have a visible Fienza or Watermark logo.



Available in



Electroplated
Chrome
231103



Electroplated
Matte Black
231103B



PVD
Brushed Nickel
231103BN



PVD
Gun Metal
231103GM



PVD
Urban Brass
231103UB

Cleaning & Care

- Regularly clean with mild soapy water using a microfibre cloth.
- In highly polluted or coastal locations, we recommend cleaning 2-3 times per week.
- Do not use harsh detergents, bleach, cream cleaners or citrus based cleaners. These substances are abrasive and will damage the surface.
- Do not use undue pressure and wipe in one direction only.



We aim to ensure that specifications are correct at the time of publication. All measurements are shown in millimetres. Always use measurements of actual product received for final specification as the technical drawing may contain differences. Due to printing limitations, physical colour may vary from the image shown. Fienza reserves the right to make modifications without prior notice.