

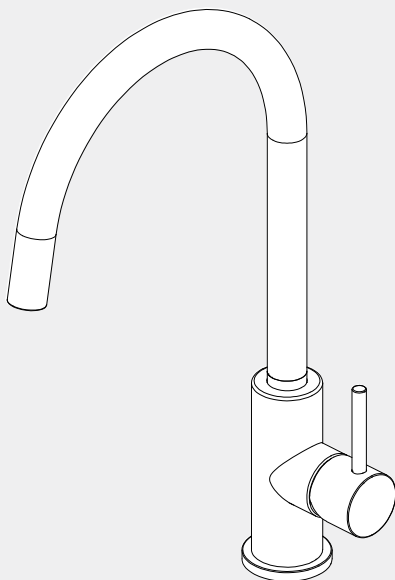
Dolce II

Sink Basin Mixer

Nero

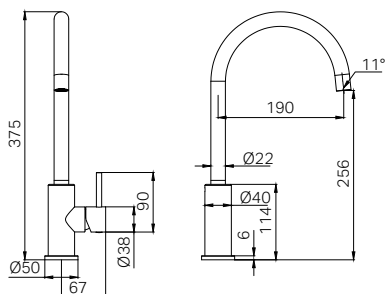


Lead Free



Versions:202506

Drawing



Specifications

Watermark License

WM-060073

Temperature Rating

Min 1 °C - Max 75 °C

Pressure Rating

Min 150 kpa - Max 500 kpa

Packaging Includes

- 1x Sink Basin Mixer
- 1x Extra Aerator
- (5 star, 6 L/min)
- 1x Installation Kits

Finish & SKU

 **Chrome**
25B003CH

 **Matte Black**
25B003MB

 **Gun Metal**
25B003GM

 **Brushed Gold**
25B003BG

 **Brushed Nickel**
25B003BN

*Dimensions are nominal measurements only.

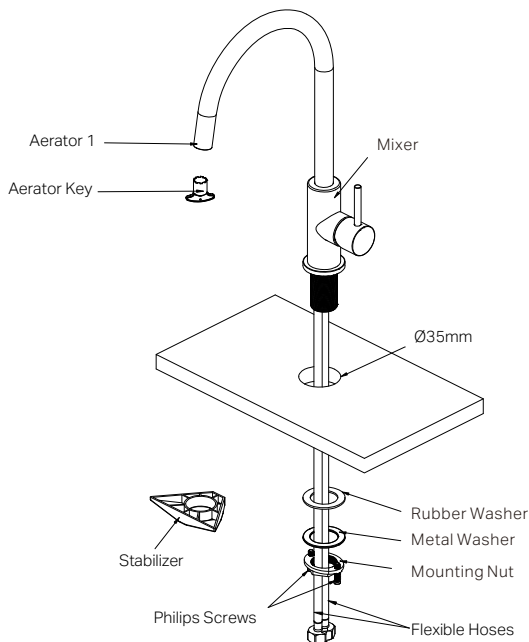
INSTALLATION INSTRUCTIONS

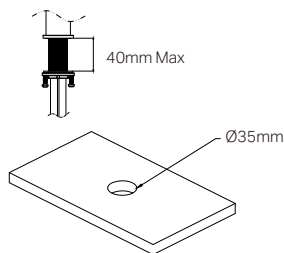
GENERAL INSTRUCTIONS:

- This product must be installed by a licensed plumber. Ensure that the installation complies with the Australian / New Zealand Standard AS/NZS 3500.
- All pipework must be thoroughly flushed prior to the installation of the mixer. In-line filters must be fitted on both hot and cold supplies to prevent foreign particles from damaging the ceramic cartridge.
- All outlets used primarily for personal hygiene must deliver water at a safe temperature in accordance with regional regulations.
- After installation, all connections must be checked for leaks.
- This mixer is not recommended for use in uncontrolled heating systems such as wet-backs or solar heating units unless a suitable tempering valve is fitted.
- If limited water flow is experienced, locate aerator and filter washers and clean away foreign material as required.

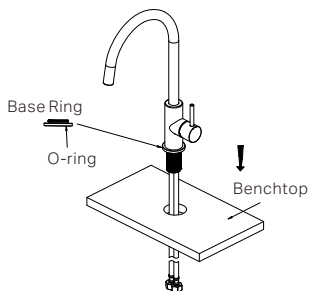
MAINTENANCE AND CARE:

- Regularly check the mixer and connections for signs of wear or leaks.
- Clean the tap with mild soapy water to maintain its appearance, avoiding harsh chemicals and abrasive materials that may damage the finish.

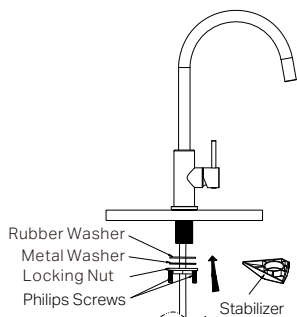




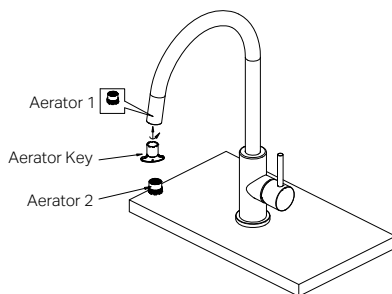
1. Pre-drill or create a hole with a diameter of 35mm at the proper location. Please note that the thickness of the surface should be between 3mm-40mm.



2. Pass the flexible hoses through the hole on the benchtop from above, then place the mixer body onto the benchtop. Ensure the O-ring is fitted inside the base ring and sits flush around the hole for a proper seal.



3. From underneath the benchtop, compress the rubber washer and metal washer against the base using the locking nut (if a stabilizer is required, install the stabilizer after positioning the rubber washer), then tighten the Phillips screws to secure the mixer.



Note: Use the aerator key to remove and replace the aerator as needed.

4. Connect the Pex Hose to the corresponding hot and cold water supply valves. Tighten the Female cone nuts by hand (According to Pex hose instruction). Ensuring they are secure yet not overtightened to avoid thread damage.

5. Check all connections for leaks. If any fittings are leaking, shut off the water as necessary to stop the leaks. Contact the supplier for warranty claim. Refer to warranty page.

FINAL INSPECTION:

- Ensure the tap operates smoothly and that there are no leaks at the connections.
- Clean the area and the newly installed tap with a soft cloth to remove any installation residues.

Nero

