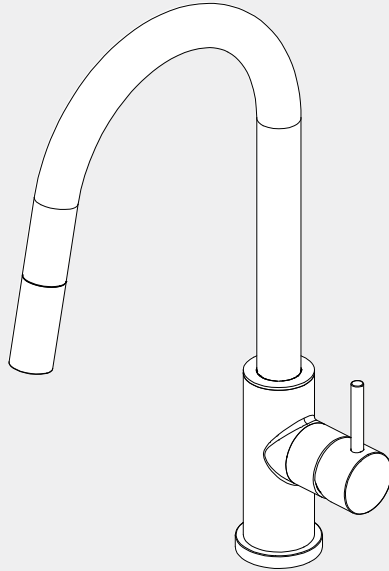


Dolce II Pull-Out Sink Mixer

Nero



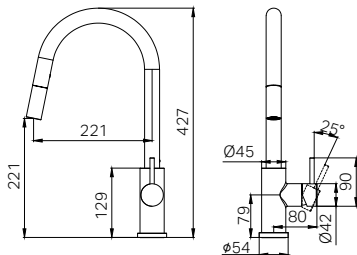
Lead Free



Version : 202506



Drawing








Specifications

Watermark License
WM-060073
Temperature Rating
Min 1 °C - Max 75 °C
Pressure Rating
Min 150kpa - Max 500kpa

Packing Includes

1x Pull-Out Sink Mixer
1x Installation Kits

Finish & SKU

- | | | |
|---|---|--|
|  Chrome
25B004CH |  Matte Black
25B004MB |  Gun Metal
25B004GM |
|  Brushed Gold
25B004BG |  Brushed Nickel
25B004BN | |

*Dimensions are nominal measurements only.

INSTALLATION INSTRUCTIONS

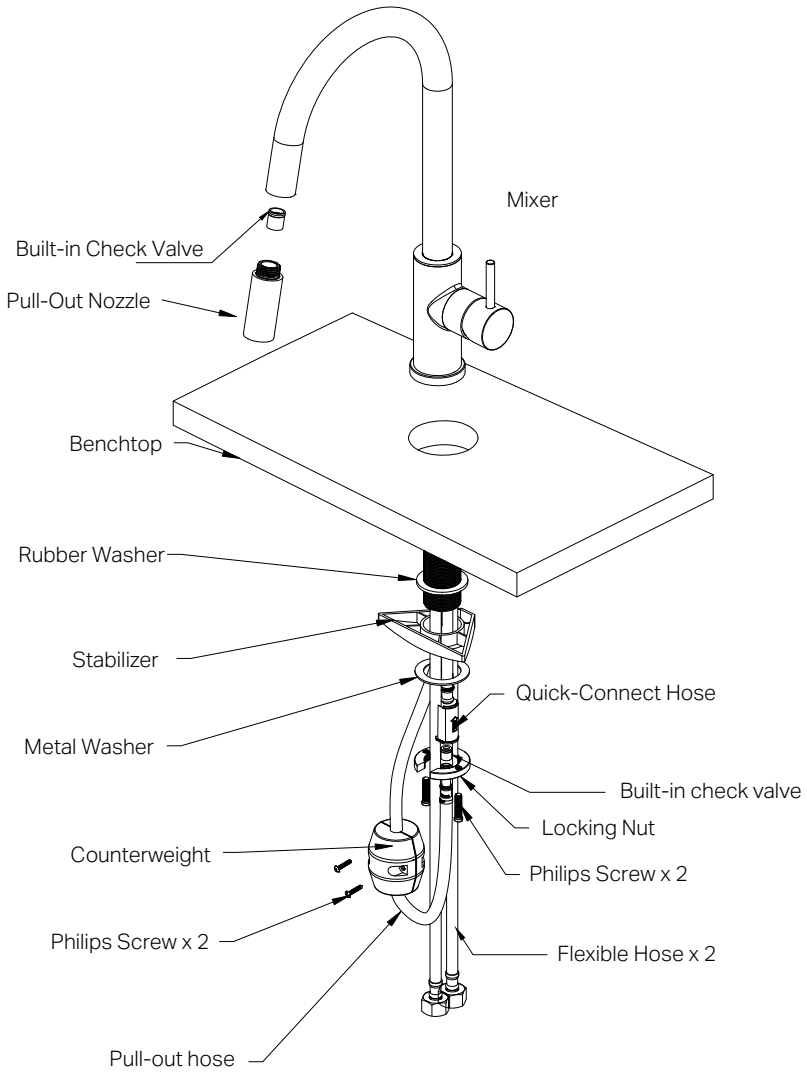
GENERAL INSTRUCTIONS:

- This product must be installed by a licensed plumber. Ensure that your plumbing installation complies with the Australian/New Zealand Standard AS/NZS 3500.
- All pipework must be thoroughly flushed prior to the installation of the mixer. In-line filters must be fitted on both hot and cold supplies to prevent foreign particles from damaging the ceramic cartridge.
- All outlets used primarily for personal hygiene must deliver water at a safe temperature in accordance with regional regulations.

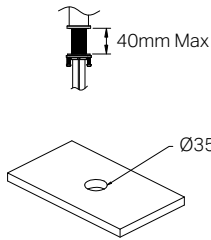
NOTE:

- Do not hydrostatic test the installation with this mixer installed. Damage to the ceramic cartridge may occur.
- Do not remove the ceramic cartridge from the mixer when installing.
- After installation, all connections must be checked for leaks.
- This mixer is not recommended for use in uncontrolled heating systems such as wet-backs or solar heating units unless a suitable tempering valve is fitted.
- If limited water flow is experienced, locate aerator and filter washers and clean away foreign material as required.
- It is the responsibility of the plumber to ensure a waterproof seal is achieved between the product and mounting surface. If in doubt about the quality of the seal, remove the product and reinstall.

PARTS NAME

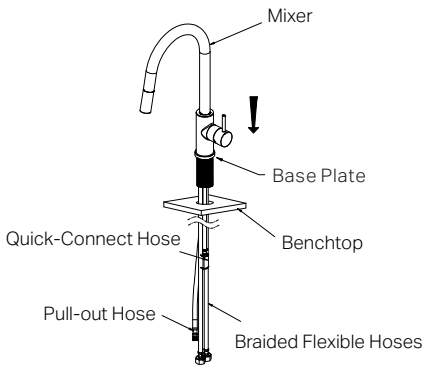


INSTALLATION STEPS



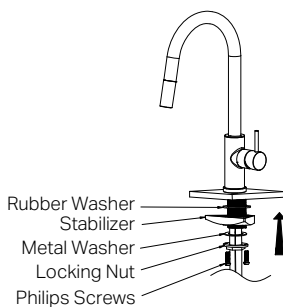
01. Pre-drill or create a mounting hole with a diameter of 35mm in the benchtop.

NOTE: If the stabilizer is used, the maximum benchtop thickness should not exceed 30mm. Without the stabilizer, the benchtop thickness can be up to 40mm.

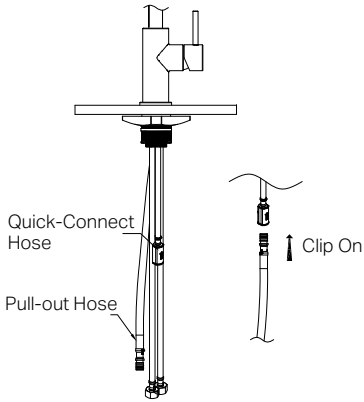


02. Place the mixer body on the benchtop, with the quick-connect hose and braided flexible hoses passing through the hole in the benchtop.

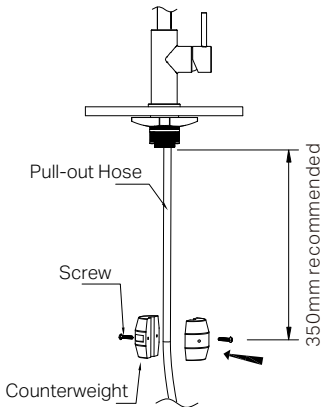
NOTE: Ensuring the O-ring sits within the bottom groove of the base plate to prevent water leakage.



03. Slide the rubber washer (stabilizer if needed) and metal washer over the threaded tube, secure the mixer firmly to the benchtop with locking nut and Philips screws.



04. Connect the pull-out hose to the quick-connect hose.



05. Install the counterweight onto the pull-out hose using the screws provided. It is recommended to position the counterweight approximately 350mm below the base of the mixer.

06. Connect the flexible hoses to the corresponding hot and cold water supply valves.

07. Check all connections for leaks. If any fittings are leaking, shut off the water as necessary to stop the leaks. Contact the supplier for warranty claim.

MAINTENANCE AND CARE:

- Regularly check the mixer and connections for signs of wear or leaks.
- Clean the tap with mild soapy water to maintain its appearance, avoiding harsh chemicals and abrasive materials.

Nero

