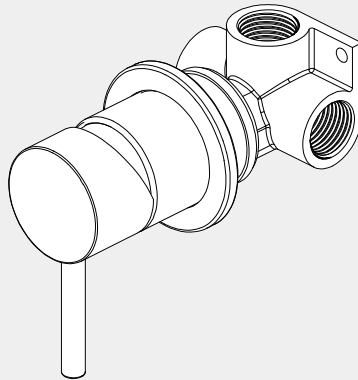


Dolce II Shower Mixer

Nero



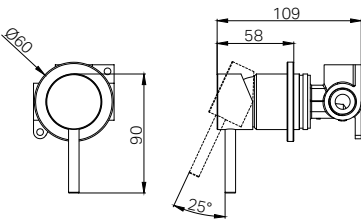
Lead Free



Version : 202506



Drawing



Specifications

Watermark License

WM-060073

Temperature Rating

Min 1 °C - Max 75 °C

Pressure Rating

Min 150kpa - Max 500kpa

Group Items

1 x Universal Body

1 x Trim Kits

Finish & SKU

 **Chrome**
25B010CH

 **Matte Black**
25B010MB

 **Gun Metal**
25B010GM

 **Brushed Gold**
25B010BG

 **Brushed Nickel**
25B010BN

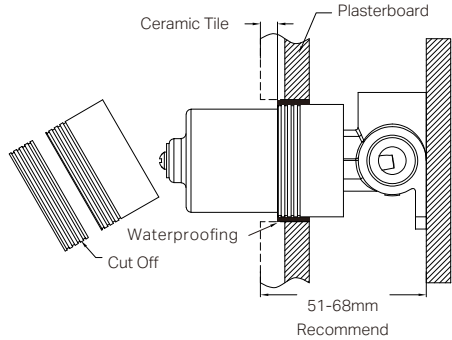
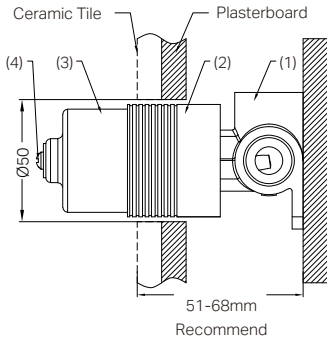
*Dimensions are nominal measurements only.

INSTALLATION INSTRUCTION FOR BODY ONLY

GENERAL INSTRUCTIONS:

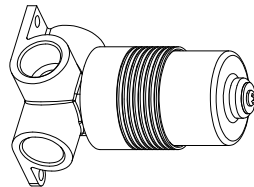
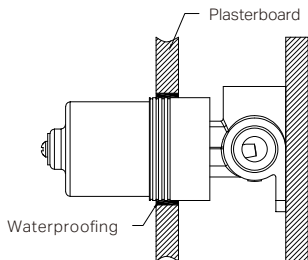
- This product must be installed by a licensed plumber. Ensure that your plumbing installation complies with the Australian/New Zealand Standard AS/NZS 3500.
- All pipework must be thoroughly flushed prior to the installation of the mixer. In-line filters must be fitted on both hot and cold supplies to prevent foreign particles from damaging the ceramic cartridge.
- All outlets used primarily for personal hygiene must deliver water at a safe temperature in accordance with regional regulations.

STEPS TO INSTALL THE BODY



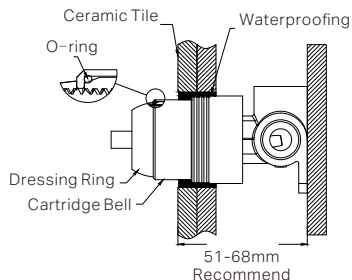
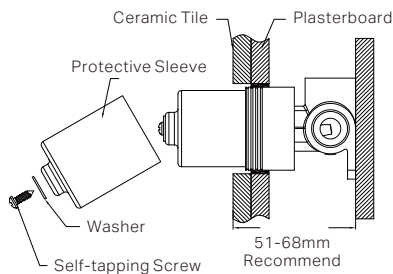
1. Secure the mixer body (1) to the nogging, ensuring an installation depth of 51-68mm from the nogging to the ceramic tile.
Note: Do not remove the protective sleeve (2) from the mixer body.
2. Connect the cold and hot water supply lines and perform a leak test.
3. Drill a $\phi 50$ mm hole in the plasterboard for mixer body installation, and then position the plasterboard as shown in the above image.

4. Mark the protective sleeve (2) 4-7mm from the ceramic tile surface to the body and waterproof the gap between the plasterboard and body.
5. Remove the self-tapping screw, washer, and protective sleeve, then cut the protective sleeve at the marked point.
6. Reattach the self-tapping screw, washer, and protective sleeve.



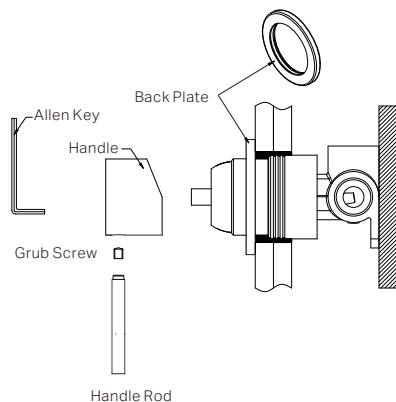
7. Waterproof the gap between the plasterboard and body.

STEPS TO INSTALL THE TRIM KITS



1. Drill a $\varnothing 50\text{mm}$ hole in the ceramic tile, then position it as shown in the above diagram.
2. Remove the self-tapping screw, washer, protective sleeve.

3. Slide the cartridge bell onto the body and insert the O-ring to the groove of the cartridge bell.
4. Apply waterproof treatment to the area in the diagram above.
5. Tighten the dressing ring onto the cartridge bell.



6. Slide the backplate onto the wall.
7. Insert the handle onto the cartridge stem, unscrew the handle rod, and use a allen key to tighten the grub screw to secure the handle. Then, screw the handle rod back in place.

FINAL INSPECTION:

- Ensure the tap operates smoothly and that there are no leaks at the connections.
- Clean the area and the newly installed tap with a soft cloth to remove any installation residues.

MAINTENANCE AND CARE:

- Regularly check the mixer and connections for signs of wear or leaks.
- Clean the tap with mild soapy water to maintain its appearance, avoiding harsh chemicals and abrasive materials that may damage the finish.

Nero

