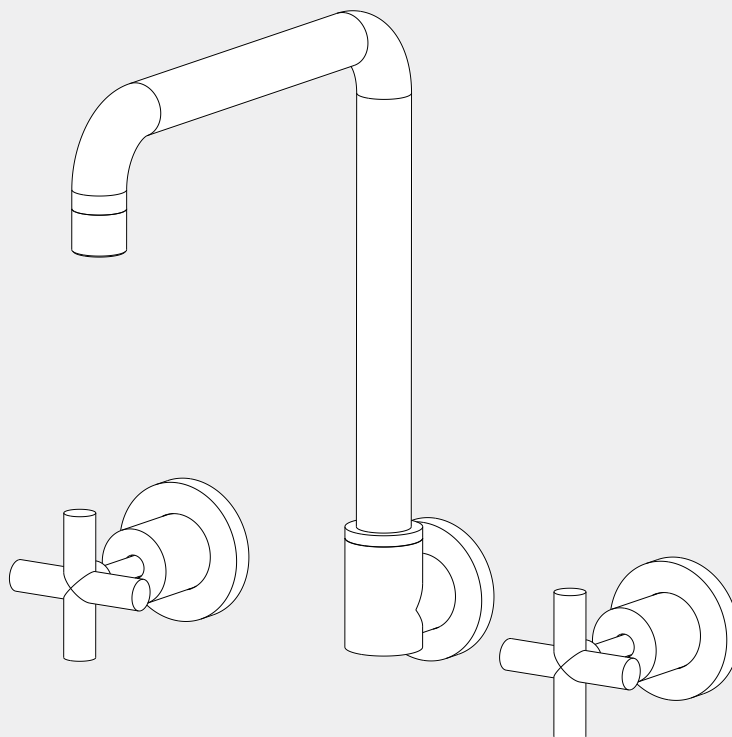


X Plus Wall Kitchen Set Swivel Spout

Nero



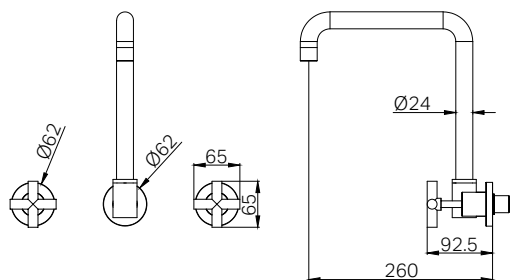
Lead Free



Versions:202508



Top/Back



Specifications

Watermark License

WM-060073

Temperature Rating

Min 1°C-Max 75°C

Pressure Rating

Min 150kpa - Max 500kpa

Finish & SKU

● **Matte Black**
NR201607MB

● **Brushed Gold**
NR201607BG

● **Brushed Nickel**
NR201607BN

Packaging Includes

1x Spout
2x Cross Handles

Note: In Wall Body/Breach Is Not Included.
Can be Purchased Separately (Code: NR5230071)

*Dimensions are nominal measurements only.

INSTALLATION INSTRUCTIONS

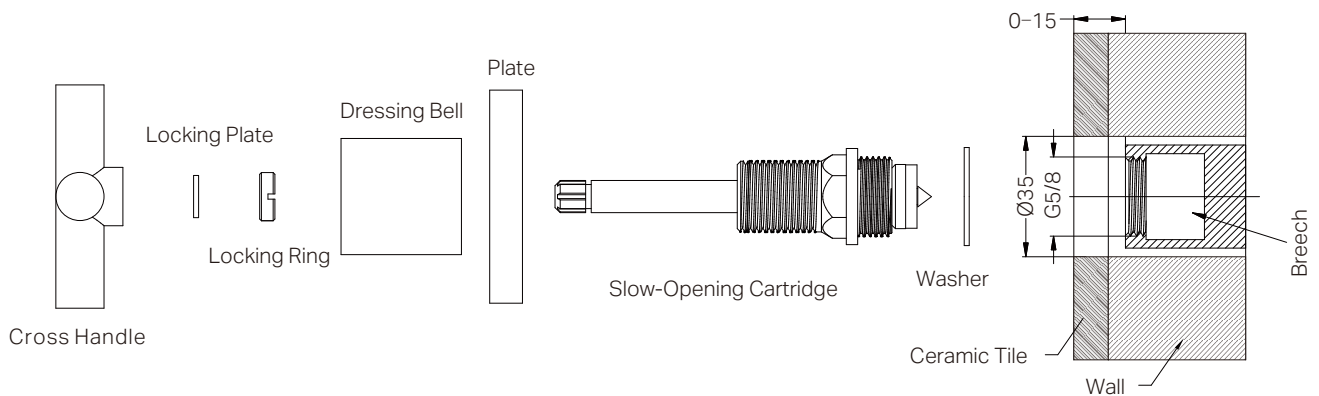
GENERAL INSTRUCTIONS:

- This product must be installed by a licensed plumber. Ensure that your plumbing installation complies with the Australian/New Zealand Standard AS/NZS 3500.
- All pipework must be thoroughly flushed prior to the installation of the mixer. In-line filters must be fitted on both hot and cold supplies to prevent foreign particles from damaging the ceramic cartridge.
- All outlets used primarily for personal hygiene must deliver water at a safe temperature in accordance with regional regulations.

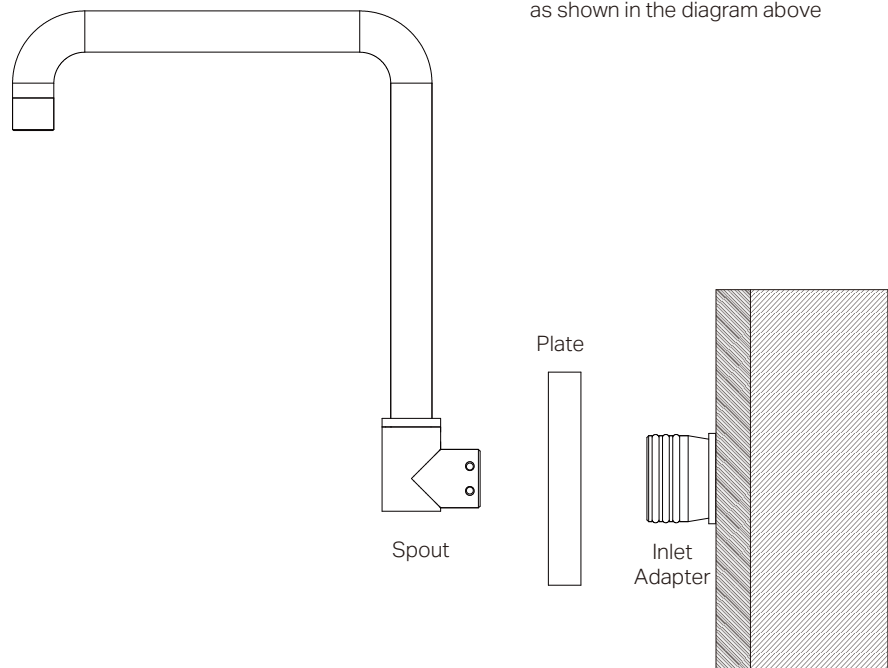
NOTE:

- Do not perform hydrostatic testing with the mixer installed. Damage to the ceramic cartridge may occur.
- Do not remove the ceramic cartridge during installation.
- After installation, all connections must be checked for leaks.
- This mixer is not recommended for use in uncontrolled heating systems such as wet-backs or solar heating units unless a suitable tempering valve is fitted.
- If limited water flow is experienced, locate aerator and filter washers and clean away foreign material as required.
- It is the responsibility of the plumber to ensure a waterproof seal is achieved between the product and mounting surface. If in doubt about the quality of the seal, remove the product and reinstall.

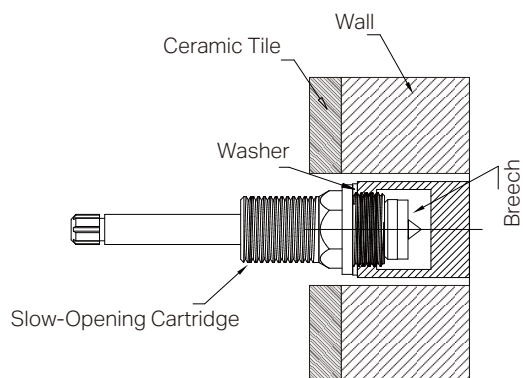
PART NAMES



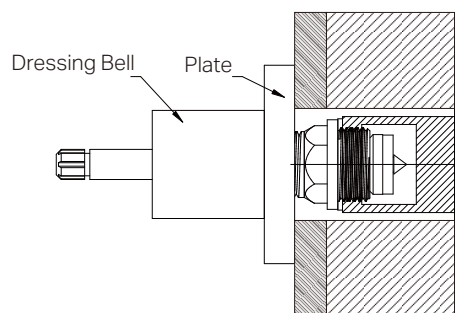
Note: Pre-install the standard tap breech as shown in the diagram above



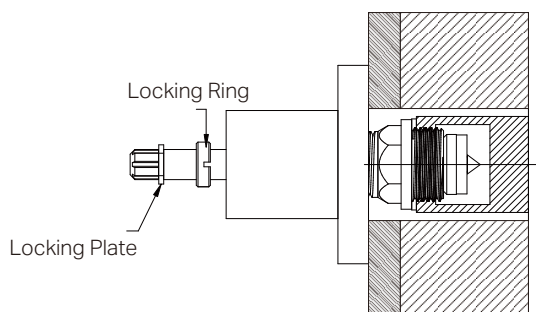
INSTALLATION STEPS



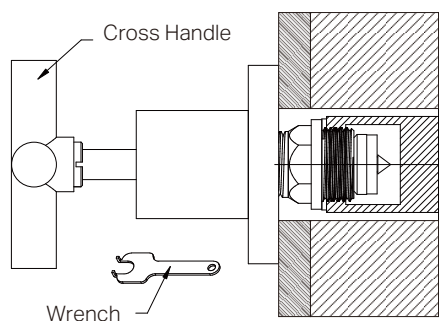
1. Fit the washer onto the slow-opening cartridge and screw the cartridge onto the breech tightly.



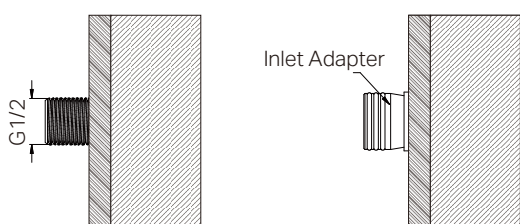
2. Slide the plate onto the slow-opening cartridge. Then, screw the dressing bell tightly onto the slow-opening cartridge.



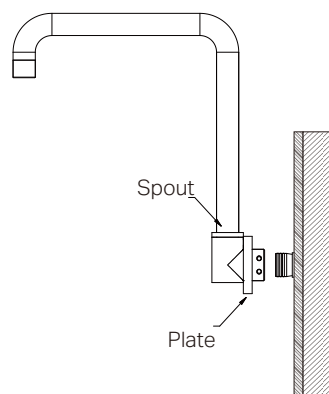
3. Slide the locking ring onto the stem of the slow-opening cartridge. Then, fit the locking plate onto the groove of the slow-opening cartridge.



4. Fit the cross handle onto the stem of the slow-opening cartridge. Adjust it to the correct orientation, then tighten the locking ring to secure it.



5. Screw the inlet adapter onto the outlet thread..



4. Slide the plate onto the end of the spout, then fit the spout onto the inlet adapter. Secure the spout using two grub screws. Push the plate firmly against the wall.

FINAL INSPECTION:

- Check all connections to ensure they are firmly secured and free of leaks, but not overtightened to avoid damaging any components.

MAINTENANCE AND CARE:

- Regularly check the mixer and connections for signs of wear or leaks.
 - Clean the tap with mild soapy water to maintain its appearance, avoiding harsh chemicals and abrasive materials that may damage the finish.

Nero

