

Celia

Wall Basin/Bath Mixer

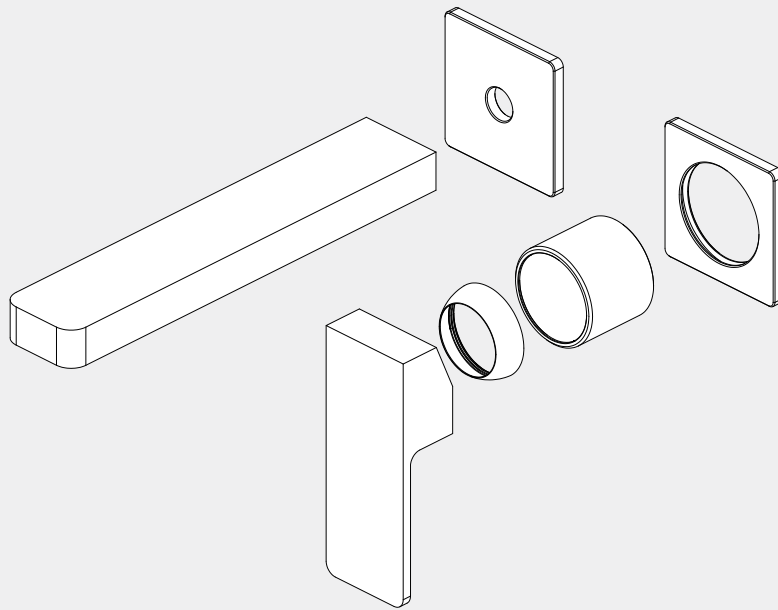
Separate Back Plate

Trim Kits Only

Nero



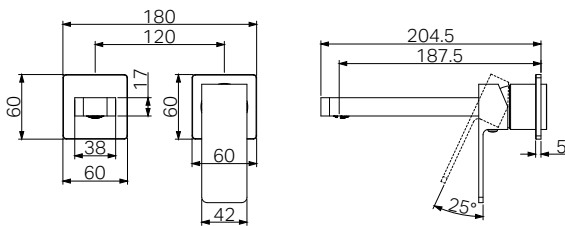
Lead Free



Version:202508



Drawing



Specifications

Watermark License
 WM-060073
Temperature Rating
 Min 1 °C - Max 75 °C
Pressure Rating
 Min 150kpa - Max 500kpa

Package Includes

- 2x Plates
- 1x Handle
- 1x Spout
- 1x Extra Non-Restricting Aerator
- 1x Cartridge Bell
- 1x Dressing Ring
- 1x Installation Kits

Finish & SKU

Chrome
 NR301510btCH

Matte Black
 NR301510btMB

Brushed Nickel
 NR301510btBN

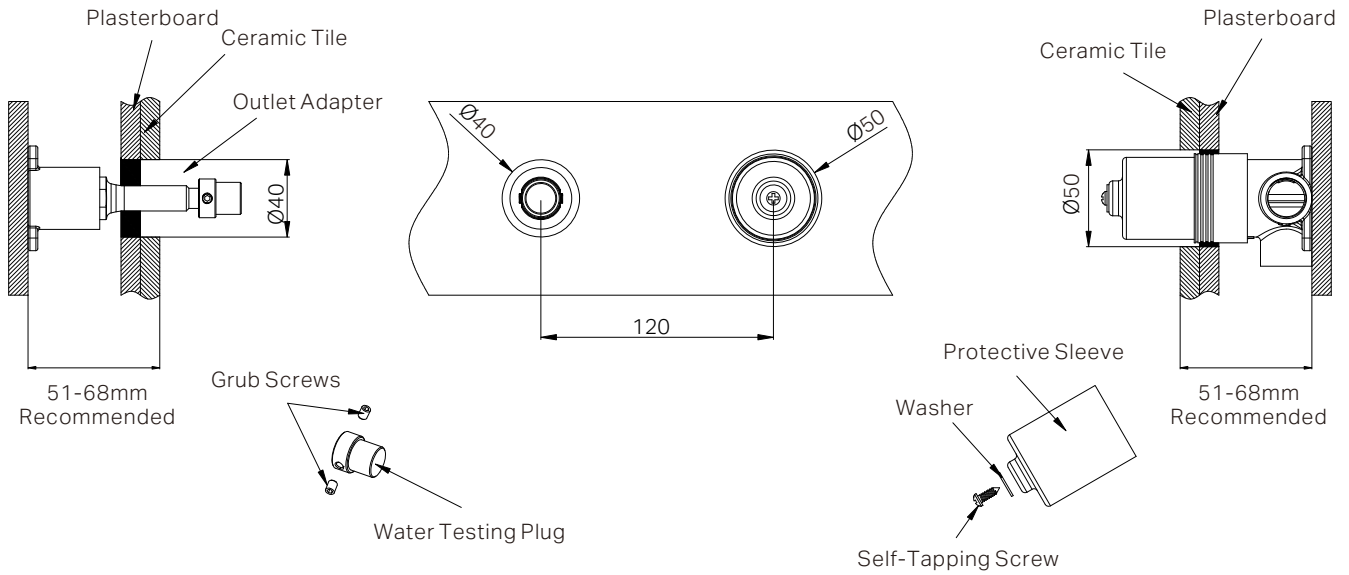
*Dimensions are nominal measurements only.
 *Includes an additional non-restrictive aerator for bath use.

INSTALLATION INSTRUCTIONS

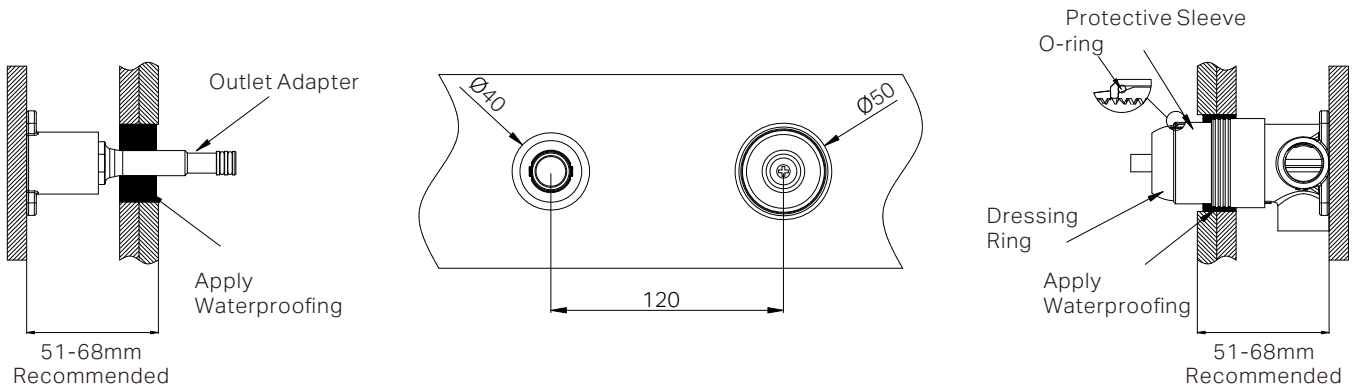
GENERAL INSTRUCTIONS:

- This product must be installed by a licensed plumber. Ensure that your plumbing installation complies with the Australian/New Zealand Standard AS/NZS 3500.
- All pipework must be thoroughly flushed prior to the installation of the mixer. In-line filters must be fitted on both hot and cold supplies to prevent foreign particles from damaging the ceramic cartridge.
- All outlets used primarily for personal hygiene must deliver water at a safe temperature in accordance with regional regulations.

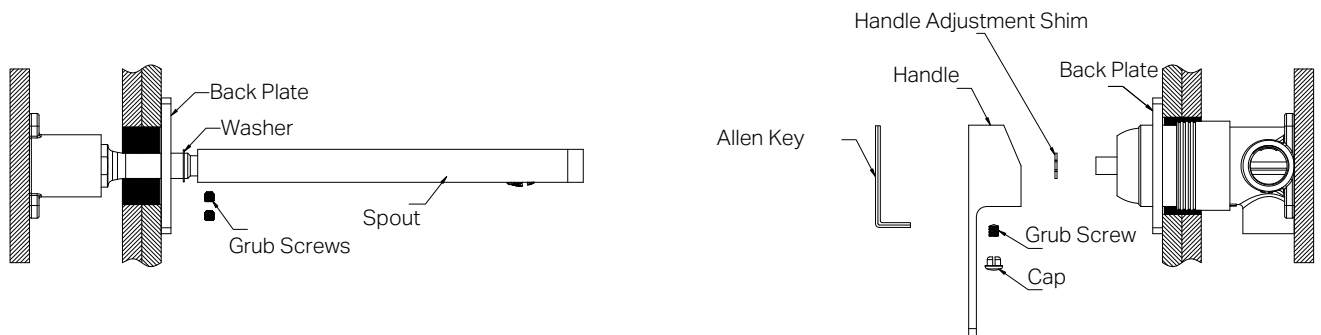
INSTALLATION STEPS FOR TRIM KITS



1. Drill a $\varnothing 50\text{mm}$ and a $\varnothing 40\text{mm}$ hole in the ceramic tile, then position it as shown in the above diagram.
2. Undo the self-tapping screw to remove the protective sleeve, and release the grub screws to remove the water testing plug from the outlet adapter.



3. Insert the O-ring to the cartridge bell groove, and slide the dressing ring onto cartridge.
4. Apply waterproofing to the area indicated in the diagram above.
5. Tighten up the dressing ring on the cartridge bell.



6. Install the back plate on both sides against the wall. Fit the handle adjustment shim onto the cartridge stem, attach the handle using a grub screw, and cover the grub screw hole with the cap.
 7. Install the spout onto the outlet adapter and secure it firmly with two grub screws.
- Note:** A washer is placed between the back plate and the spout. Be careful not to lose it.

FINAL INSPECTION:

- Ensure the tap operates smoothly and that there are no leaks at the connections.
- Clean the area and the newly installed tap with a soft cloth to remove any installation residues.

MAINTENANCE AND CARE:

- Regularly check the mixer and connections for signs of wear or leaks.
- Clean the tap with mild soapy water to maintain its appearance, avoiding harsh chemicals and abrasive materials that may damage the finish.

Nero

