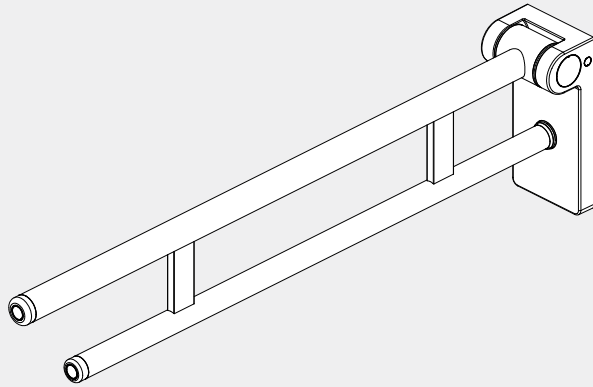


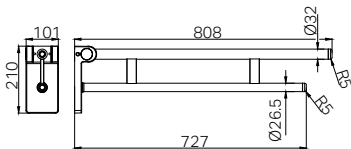
Mecca Care Foldable Toilet Support Arm

Nero



Version : 202508

Drawing



Features

- Supports up to 120kg vertical load and 55kg horizontal load
- Complies with ISO 17966 load and durability standards
- Foldable design for space-saving convenience
- Minimalist look to suit modern care environments
- Ideal for aged care and accessible bathrooms

Packing Includes

- 1x Support Arm
- 1x Installation Kit

Finish & SKU



Chrome
NRCR0007CH



Gun Metal
NRCR0007GM



Brushed Nickel
NRCR0007BN



Matte Black
NRCR0007MB



Brushed Gold
NRCR0007BG



Brushed Bronze
NRCR0007BZ

*Dimensions are nominal measurements only.

INSTALLATION INSTRUCTIONS

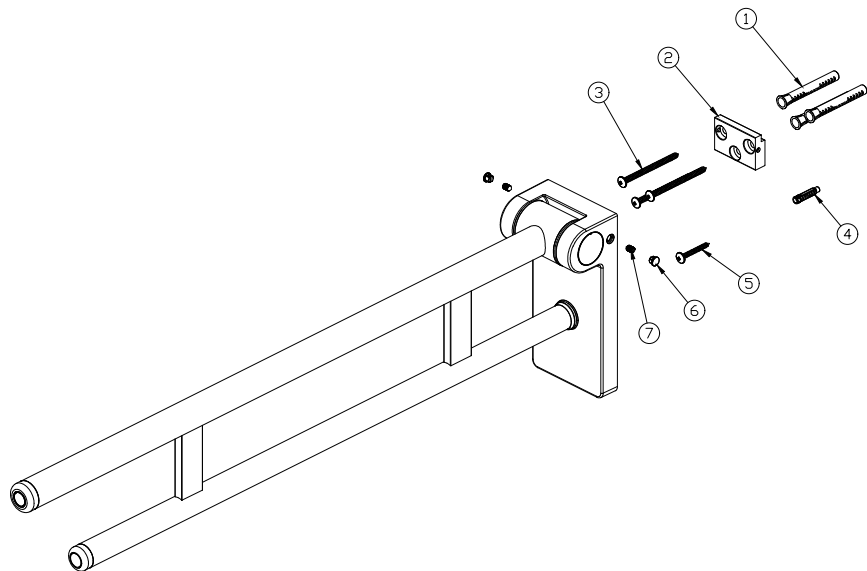
GENERAL INSTRUCTIONS:

- The Mecca Care foldable toilet support arm is designed to be installed in bathrooms to provide arm support for disabled users when using the toilet.
- Installation should be completed by qualified tradesperson who complies with the AS1428.1 — Design for Access and Mobility standard / NZS 4121:2001 Design for Access and Mobility standard.
- Before installation, make sure the wall surface is clean and dry to ensure a secure attachment.
- When tightening screws, do not apply excessive force to prevent damage to the wall or the fixtures.
- Wear appropriate safety gear, such as gloves and safety glasses, to protect yourself during installation.
- Before drilling, check the wall for any hidden pipes or electrical wires to avoid accidental damage.
- Ensure all measurements are accurate before drilling holes to prevent misalignment of the accessories.

IMPORTANT NOTE

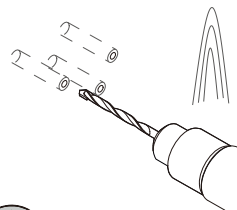
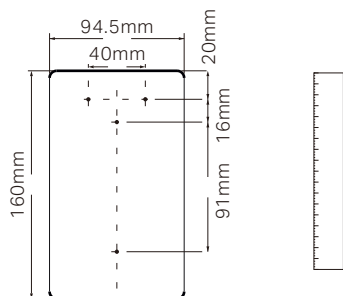
The Mecca Care foldable toilet support arm have been designed to withstand a maximum vertical static load of 120 kg, horizontal static load of 55kg, and exceeding this loading limit may lead to permanent damage. Please use the fixing kit included for installation on concrete,

PART NAMES



- ① 2x Ø10mm Expansion Plugs
- ② 1x Bracket
- ③ 2x M6*80 Self-tapping Screws
- ④ 1x Expansion Plugs
- ⑤ 2x M5*40 Self-tapping Screws
- ⑥ 2x Caps
- ⑦ 2x Grub Screws

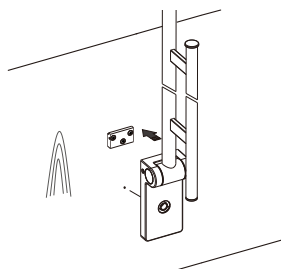
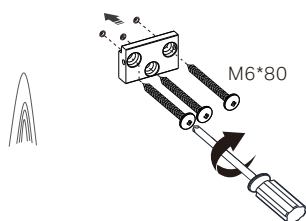
INSTALLATION STEPS



Wooden Board Concrete Wall

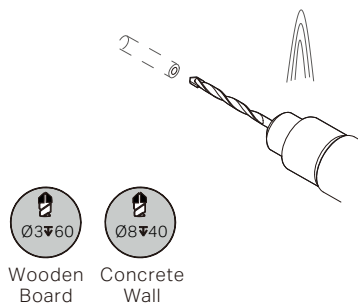
01. Mark the positions of the four mounting holes with a ruler on the concrete wall or wooden board following the diagram above.

02. For wooden boards, drill three $\text{Ø}4 \times 90$ mm holes for self-tapping screws. For concrete walls, drill three $\text{Ø}10 \times 90$ mm holes for expansion plugs.

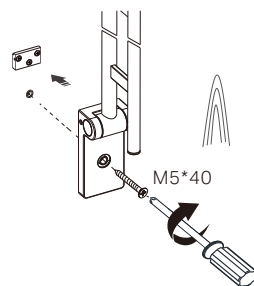


03. Secure the bracket directly with M6*80 self-tapping screws on the wooden board. Note: For concrete walls, insert the expansion plugs into the drilled holes first.

04. Fit the support arm into bracket and check the position of the base mounting hole.

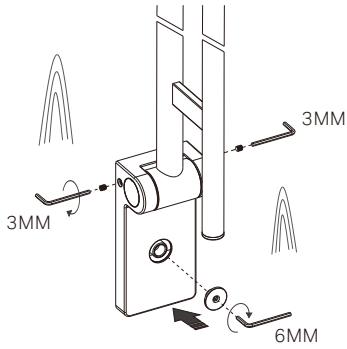


Wooden Board Concrete Wall

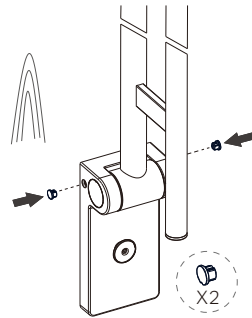


05. For wooden boards, drill a $\text{Ø}3 \times 60$ mm hole for screw to secure base. For concrete walls, drill a $\text{Ø}8 \times 40$ mm hole for expansion plug.

06. Secure the base with M5*40 self-tapping screw on the wooden board. Note: For concrete walls, insert the expansion plugs first



07. Tighten the grub screws to secure the support arm to the bracket. Screw on the cap to cover the base screw.



08. Press in the caps to cover the grub screws.

MAINTENANCE AND CARE

Clean with a moist cloth and soap only, then simply wipe dry. Never use rough sponges, abrasives and chemical cleaners containing aggressive substances such as ammonia, bleach, acids, solvents.

Nero

