

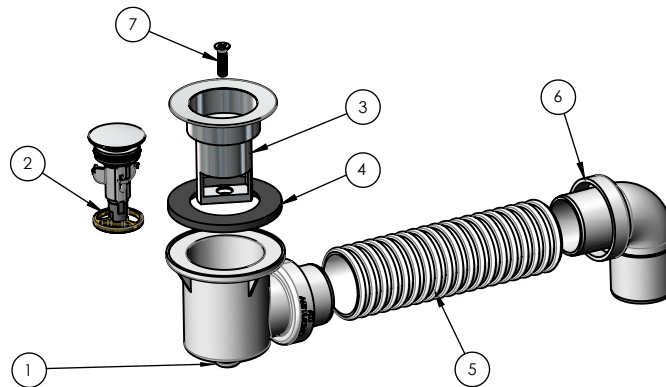
Assembly instructions for BATH BEND POP DOWN® WITH CONNECTOR - FLEXIBLE 40mm

INSTALLATION INSTRUCTIONS

- Determine correct length for Flexible Tube (5) and cut to length.
- Connect Flexible Tube (5) to Outer Body (1) using Type P ABS Solvent Cement & Priming Fluid.
- Apply a suitable non acidic sealant to the underside of the Inner Body (3) and insert into the bath outlet hole.
- Position Rubber Seal (4) on top of Outer Body (1), Screw fit Inner Body (3) to Outer Body (1) with M5 Screw (7).
- Connect Flexible Tube (5) to Outlet (6) using Type P ABS Solvent Cement & Priming Fluid.
- Check all connections are watertight.

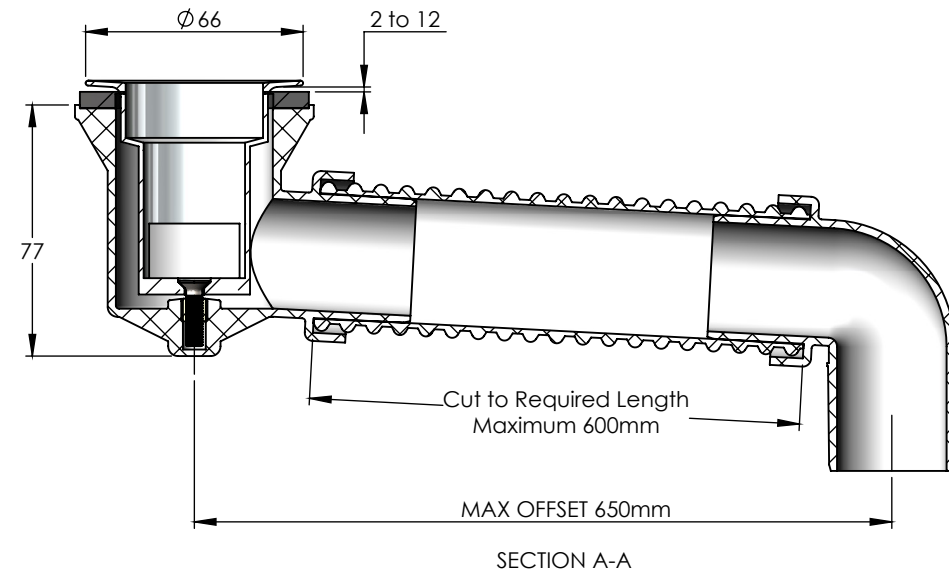
Part List:

- Outer Body (ABS)
- Pop Down® Mechanism
- Inner Body
- Rubber Double Seal
- Flexible Tube (FLEXIBLE PVC supplied 600mm)
- Outlet (ABS)
- M5 Adjustment Screw



FIXING SCREW 7 MUST BE STAINLESS STEEL, M5 COUNTERSUNK HEAD. REPLACE WITH DIFFERENT LENGTH OF SCREW FOR DIFFERENT BATH WALL THICKNESS. REFER TABLE BELOW:

BATH WALL THICKNESS	S/S SCREW C/SUNK HD
2 ~ 12 mm	M5 x 20 (SUPPLIED)
12 ~ 22 mm	M5 x 30
22 ~ 32 mm	M5 x 40
32 ~ 42 mm	M5 x 50
42 ~ 52 mm	M5 x 60
52 ~ 62 mm	M5 x 70



NOTE

- The installation of this product must be carried out strictly in accordance with the manufacturers / suppliers instructions.
- The Contractor should ensure the dimension specified correspond to the ID Drawing/s.
- This product image is provided as a guide only and shall not be used to establish true colour representation.
- Installation of this product must be carried out by, or under the supervision of, a Licenced Plumber.