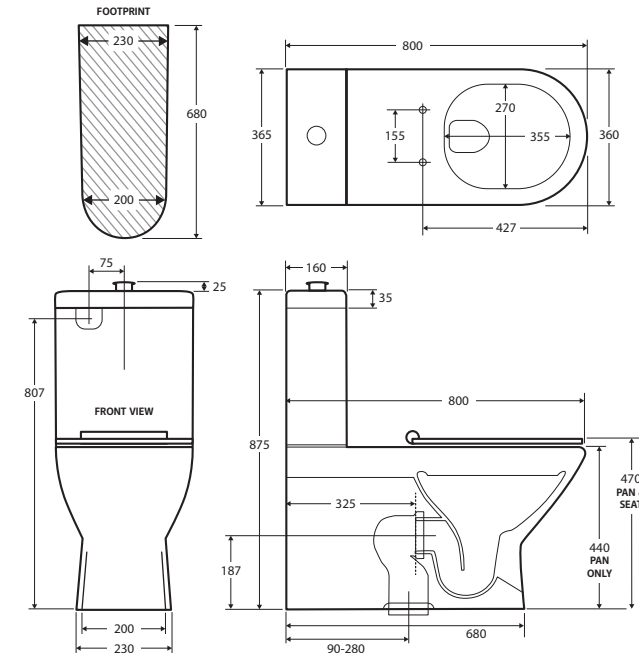


Delta Care BACK-TO-WALL TOILET SUITE

Features

WELS 4 Star - 4.5/3L (3.2L avg/flush)

- Gloss white pan
- Single flap seat (gloss grey, matte black or gloss blue)
- Raised flush buttons
- Rimless hygienic flush
- R&T flush system
- Top or bottom inlets:
 - Left top inlet
 - Left OR right bottom inlet (cannot use both simultaneously)
- Available as P-Trap or S-Trap
- Can install for AS 1428.1:2021 Accessible compliance



Available in



P-Trap
Grey Seat
K013GP



P-Trap
Black Seat
K013MBP



P-Trap
Blue Seat
K013P



S-Trap
Grey Seat
K013GA



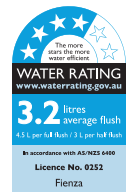
S-Trap
Black Seat
K013MBA



S-Trap
Blue Seat
K013A

Cleaning & Care

- Clean only with a soft cloth or sponge using warm water and mild soap or detergent. Do not use any abrasive cleaning materials.
- Do not use any solvents or corrosive liquids.
- Note that use of clip-on deodorisers will affect flushing performance on rimless suites.



We aim to ensure that specifications are correct at the time of publication. All measurements are shown in millimetres. For ceramic products, please allow +/- 10 mm tolerance for manufacturing variance. Always use measurements of actual product received for final specification as the technical drawing may contain differences. Due to printing limitations, physical colour may vary from the image shown. Fienza reserves the right to make modifications without prior notice.