

Care INVERTED T RAIL SHOWER WITH PUSH/PULL SLIDER

Features

- Can be installed for AS 1428.1:2021 Accessible compliance
- **WELS 3 Star rated, 9L/min**

Rail:

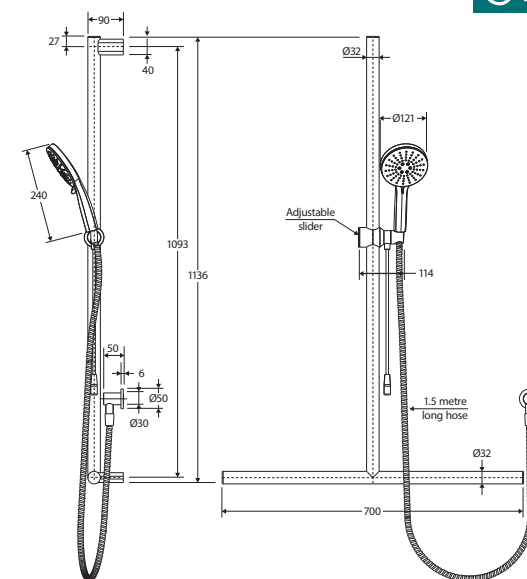
- Backflow prevention dual check/non-return valve
- Made from stainless steel
- Deluxe stainless steel elbow
- 1.5 metre stainless steel hose (PVC on matte black model)

Push/Pull Shower Slider (MST119):

- Smooth sliding action to easily adjust height and angle of hand shower
- Designed to provide handheld shower support and movement ideal for disabled and wheelchair users
- Self-locking
- Ergonomic easy grip handle with 383 mm length for easy access by seated users
- Suits 32 mm diameter rail
- Made from solid brass

EMPIRE SLIM Handheld Shower Head (MSH117):

- Three water-flow settings: normal, massage or combination
- Easy to clean TPR nozzles
- Made from ABS



Available in



Chrome
444117-P



PVD
Matte Black
444117B-P



PVD
Brushed Nickel
444117BN-P



PVD
Gun Metal
444117GM-P



PVD
Brushed Copper
444117CO-P



PVD
Urban Brass
444117UB-P

Cleaning & Care

- Regularly clean with mild soapy water using a microfibre cloth.
- In highly polluted or coastal locations, we recommend cleaning 2-3 times per week.
- Do not use harsh detergents, bleach, cream cleaners or citrus based cleaners. These substances are abrasive and will damage the surface.
- Do not use undue pressure and wipe in one direction only.

Please note: This product may have a visible Watermark logo.



We aim to ensure that specifications are correct at the time of publication. All measurements are shown in millimetres. Always use measurements of actual product received for final specification as the technical drawing may contain differences. Due to printing limitations, physical colour may vary from the image shown. Fienza reserves the right to make modifications without prior notice.