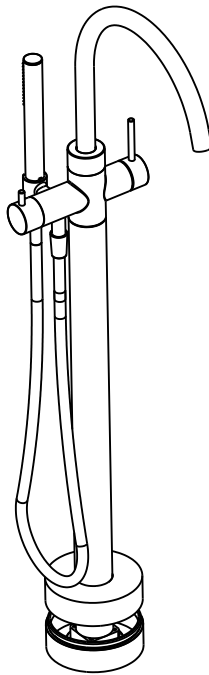


LIANO II - FREESTANDING BATH FILLER WITH HAND SHOWER

PLUMBERS INSTALLATION INSTRUCTIONS



Important Information

- * Water Service Pipes must be installed in accordance with the requirements of AS/NZS 3500 and relevant building codes.
- * Water Service Pipes for connection to the Hot & Cold inlets of the Mixer must be DN15B BQ Copper Tube to AS 1432.
- * Brazed connections should NOT be made directly onto the mixer, as excessive heat will cause permanent damage.
- * All pipework must be thoroughly flushed prior to installation.
- * Fasteners used to anchor the base of the Mixer to the floor must be manufactured from stainless steel and are the responsibility of the installer as they are dependant on floor type.
- * It is recommended that stop taps be installed in a suitable location to isolate the hot and cold water supply pipes if required.

Special requirements

- * An installation template (2) is available (Product Code SP2138) and must be used to ensure correct installation.
The installation template has 2 functions:
 1. To accurately position the DN15B copper water pipes.
 2. To provide a cavity for the Mixer base when installing into new concrete slab.
Consideration must be given to the position of the installation template in relation to the waste pipe for connection to the bath.
- * A Waterproofing collar (3) is provided and must be fitted before fitting the membrane.
For installations onto concrete slab, the waterproofing collar (3) can be discarded if the overall floor covering is 2mm or less.
The Waterproofing collar has 2 functions:
 1. To ensure waterproofing between floor tiles and concrete slab/floor sheeting.
 2. To act as a tiling guide.

IMPORTANT

Pressure & Temperature Requirements.

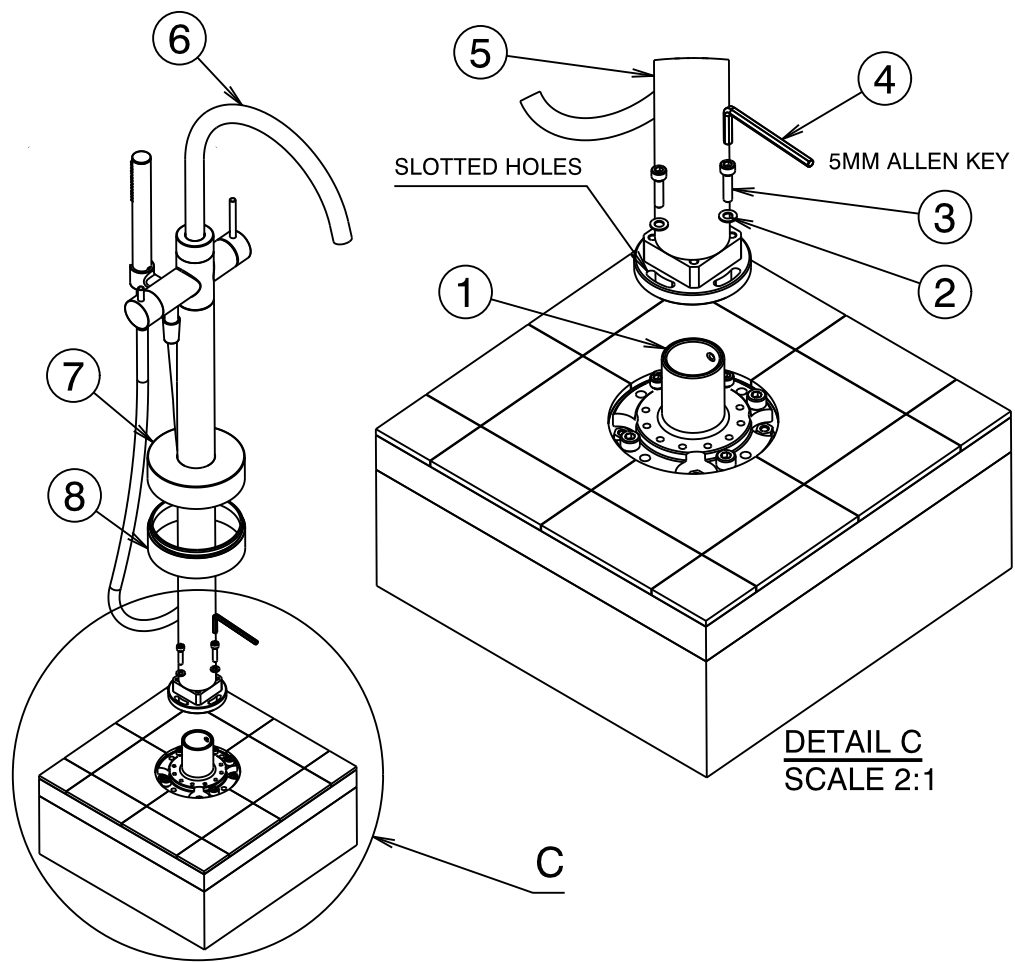
- Hot and cold water inlet pressures should be equal.
- Static inlet pressure range : 150 -1000 kPa
New Regulation :-500 kPa maximum static pressure at any outlet within a building. (Ref. AS/NZS 3500.1)
- Maximum hot water temperature : 80°C.

Pipework Requirements

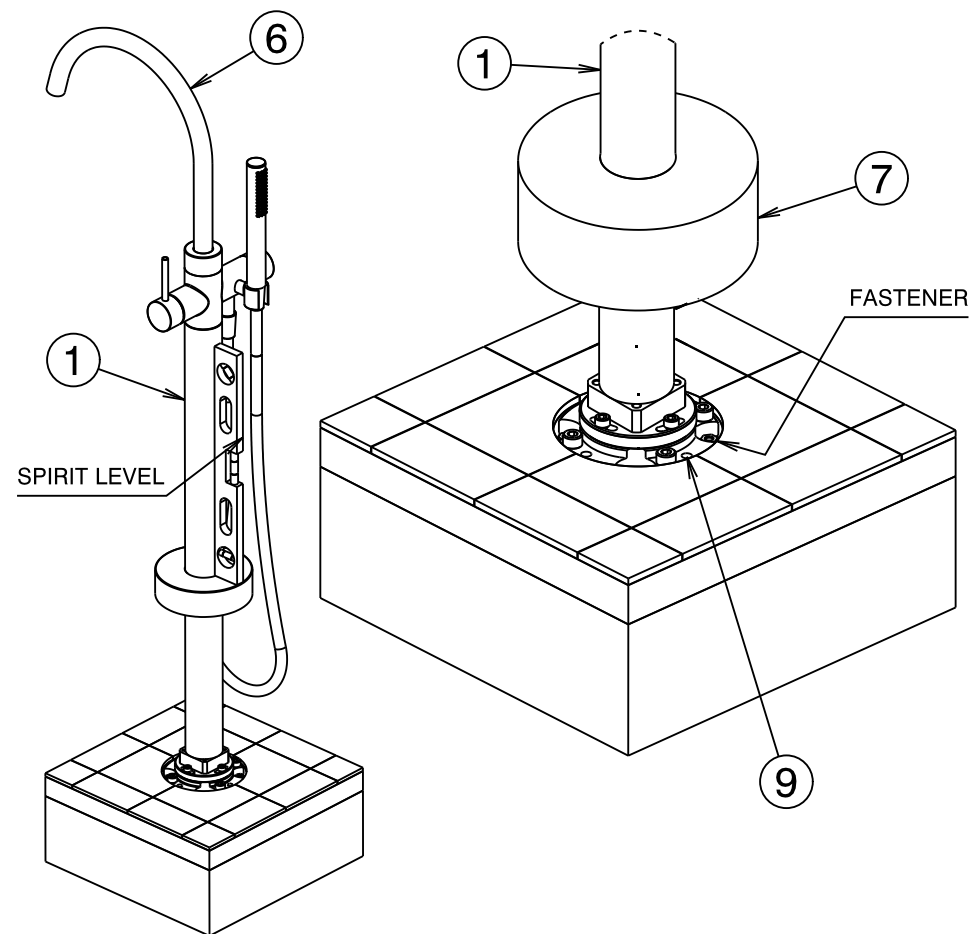
- DN15B (Ø12.70 X 0.91) BQ Copper Tube to AS 1432

Installation Requirements.

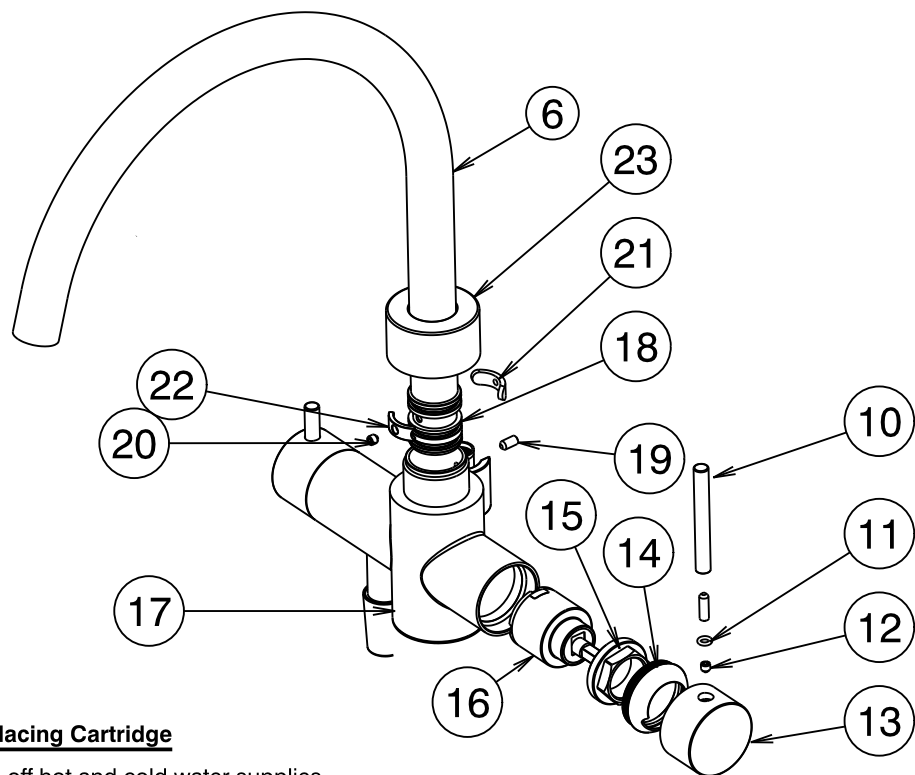
- The installing plumber is responsible for waterproofing all penetrations for Taps on horizontal surfaces surrounding baths at installation by a proprietary flange system or a sealant. (Ref AS3740)



- 1) For sub-floor installations, the extension cover (8) is not required.
 For above floor installations, screw the extension cover (8) below the base cover (7).
 This mixer has a feature which allows the outlet (6) to be aligned with the bath prior to fixing to the base. Carefully slide the riser (5) onto the connector flange (1) until the base of the riser rests on the mating face of the connector flange (1). Rotate the mixer outlet (6) until the outlet is facing the desired direction in alignment with the final bath position then install the four screws (3) together with washers (2) into the threaded holes which are visible when looking into the slotted holes in the flange of the riser (5). Check the final position of the outlet (6) then tighten the screws (3) using the 5mm allen key (4) provided.
- Important:**
 - The screws (3) must be tightened firmly to prevent rotation of the mixer after installation.



- 2) The mixer is now fixed firmly to the floor, however further adjustment may be required if the mixer is not in vertical alignment. To test the vertical alignment of the mixer, place a spirit level on the cylinder of the riser (1) as shown. If adjustment is required, loosen the mounting fasteners as shown and gradually tighten jacking screws (9) against the spacing washer at the bottom as required using the 3mm allen key provided. (The riser will tilt away from the jacking screw being tightened). When vertical alignment of the riser (1) is achieved, tighten the mounting fasteners firmly to secure the mixer to the floor. Apply a suitable sealant to the bottom face of the base cover (7) then carefully slide the base cover (7) down until it contacts the floor surface. Wipe clean any excess sealant from the floor surface and the chrome surfaces of the base cover (7).
- Important:**
 - Only adjust the jacking screws (9) which are necessary to achieve vertical alignment, do not adjust screws more than necessary.



Replacing Cartridge

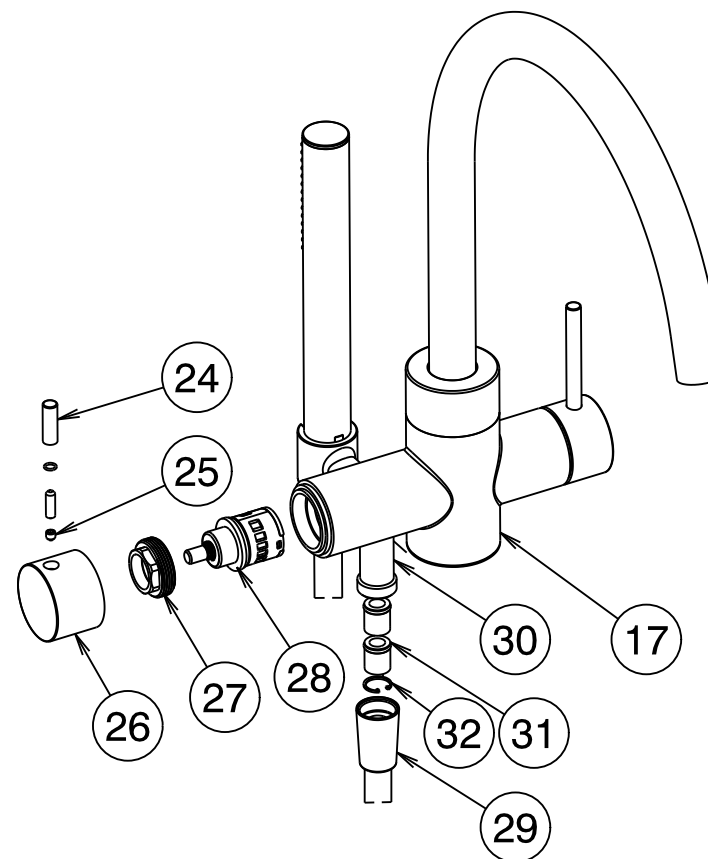
- 1) Turn off hot and cold water supplies.
- 2) Unscrew handle pin (10) along with 'O'-ring (11) before using a 2.5mm allen key to loosen grub screw (12) and remove handle (13). Remove push-in cap (14) with two flat screwdrivers taking care not to damage the decorative finish. Unscrew nut (15) then lift out old cartridge (16).
- 3) Ensure inside face of mixer body (17) is clean. Check that seals are in position in base of new cartridge (16), fit new cartridge (16) into mixer body (17), taking care that two lugs on base of cartridge (16) fit into mating holes in mixer body (17).
- 4) Screw on nut (15). **Important:** Nut (15) should be tightened to a torque of 10 Nm.
- 5) Push cap (14) back into mixer body. Fit handle (13) ensuring it is pushed fully onto cartridge stem, then tighten grub screw (12) using 2.5mm allen key. Fit handle pin (10) and 'O'-ring (11).
- 6) Turn on water supplies and check operation.

Convert swivel outlet to 360 degree free rotation outlet

- 1) Unscrew cover (23) and remove long grub screw (19) using a 2.5mm allen key (11).
- 2) Lift outlet (6) until small swivel retainer (22) can be removed by unscrewing short grub screw (20)
- 3) Ensure large swivel retainer (21) is still seated in the outlet groove then fit outlet (6) together with large swivel retainer (21) into body (17) until outlet is completely seated onto body (17).
- 4) Rotate outlet (6) to align screw hole in large swivel retainer with the hole at the back of body (17). Tighten long grub screw (19) using 2.5mm allen key (11). Screw cover (23) back into position.

Convert swivel outlet to fixed outlet

- 1) Unscrew cover (23) and remove retaining screws (19 and 20) using a 2.5mm allen key.
- 2) Carefully lift outlet (6) until swivel retainers (21 and 22) can be removed.
- 3) Fit outlet (6) back into body (17) until outlet is completely seated onto body (17).
- 4) Rotate outlet (6) into desired position. Tighten retaining screws using 2.5mm allen key and screw cover (23) back on.



Replacing Diverter Cartridge

- 1) Turn off hot and cold water supplies.
- 2) Carefully unscrew handle pin (24) along with 'O'-ring before using a 2.5mm allen key (11) to loosen grub screw (25) and remove handle (26). Unscrew nut (27) then lift out old diverter cartridge (28).
- 3) Ensure inside face of mixer body (17) is clean. Check that seals are in position in base of new cartridge (28), fit new cartridge (28) into mixer body (17), taking care that two lugs on base of cartridge (28) fit into mating holes in mixer body (17).
- 4) Screw on nut (27). **Important:** Nut (27) should be tightened to a torque of 10 Nm.
- 5) Fit handle (26) taking care that it is pushed fully onto cartridge stem, then tighten grub screw (25) using 2.5mm allen key (11). Replace handle pin (24) taking care not to damage the decorative finish.
- 6) Turn on water supplies and check operation.

Installing Check Valves for AS/NZS 2845 Compliance (if required)

- 1) Unscrew hose (29) from mixer body hose outlet spigot (30).
- 2) Insert two check valves (31) supplied oriented with o-ring at the top into spigot and push in until seated. Be careful not to damage check valves when pushing in. Install retaining ring (32).
- 3) Re-attach hose (29) and tighten firmly.