

Mecca

Nero

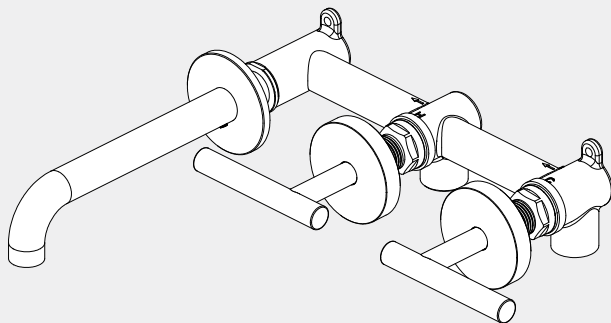
Lever Wall Basin/Bath Set

160mm/185mm/220mm

Offset Spout



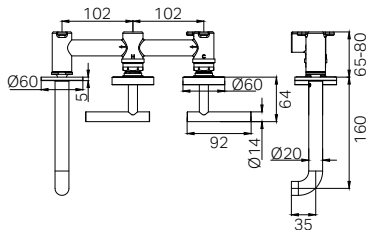
Lead Free



Version : 202511



Drawing



The length of Spout:
25D009: 160mm
25D010: 185mm
25D011: 220mm

Specifications

Watermark License

WM-060073

Temperature Rating

Min 1 °C - Max 75 °C

Pressure Rating

Min 150kpa - Max 500kpa

Finish & SKU

● **Chrome**

25D009CH/25D010CH
25D011CH

● **Matte Black**

25D009MB/25D010MB
25D011MB

● **Matte White**

25D009MW/25D010MW
25D011MW

● **Brushed Nickel**

25D009BN/25D010BN
25D011BN

● **Brushed Gold**

25D009BG/25D010BG
25D011BG

● **Gun Metal**

25D009GM/25D010GM
25D011GM

● **Brushed Bronze**

25D009BZ/25D010BZ
25D011BZ

*Dimensions are nominal measurements only.

Packing Includes

1x In-wall Breech
1x Trim Kits
1x Extra Full Flow Aerator
1x Installation Kits

INSTALLATION INSTRUCTIONS

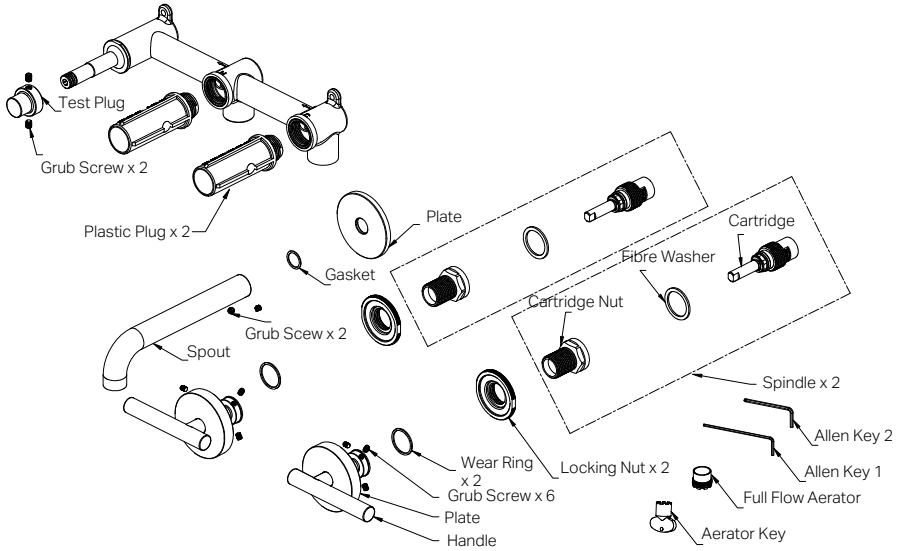
GENERAL INSTRUCTIONS:

- This product must be installed by a licensed plumber. Ensure that the installation complies with the Australian/New Zealand Standard AS/NZS 3500.
- All pipework must be thoroughly flushed prior to the installation of the mixer. In-line filters must be fitted on both hot and cold supplies to prevent foreign particles from damaging the ceramic cartridge.
- All outlets used primarily for personal hygiene must deliver water at a safe temperature in accordance with regional regulations.

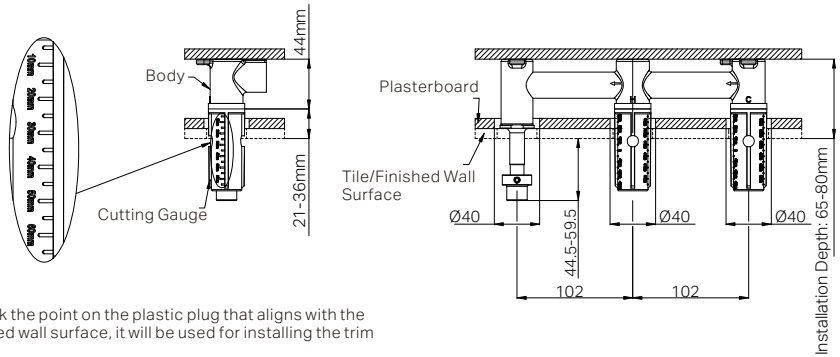
NOTE:

- Do not hydrostatic test the installation with this mixer installed. Damage to the ceramic cartridge may occur.
- Do not remove the ceramic cartridge from the mixer when installing.
- After installation, all connections must be checked for leaks.
- This mixer is not recommended for use in uncontrolled heating systems such as wet-backs or solar heating units unless a suitable tempering valve is fitted.
- If limited water flow is experienced, locate aerator and filter washers and clean away foreign material as required.
- It is the responsibility of the plumber to ensure a waterproof seal is achieved between the product and mounting surface. If in doubt about the quality of the seal, remove the product and reinstall.

PARTS NAME

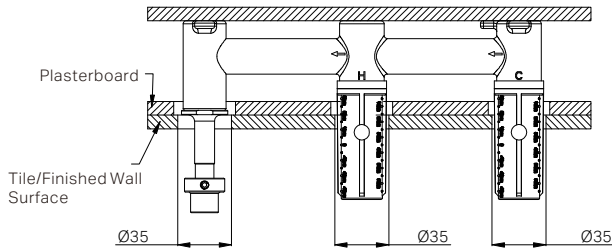


INSTALLATION STEPS FOR MIXER BODY



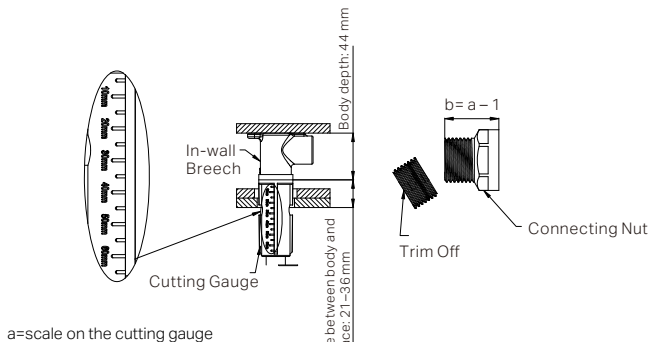
Note: Mark the point on the plastic plug that aligns with the tile/finished wall surface, it will be used for installing the trim kits later.

1. Fix the in-wall breach onto the nogging, ensuring the installation depth is 65–80 mm from the tile/finished wall surface.
2. Connect the cold and hot water pipes, turn on the water supply for pressure testing, and ensure there are no leaks.
3. Install the plasterboard and drill three Ø40 mm holes as shown in the diagram.

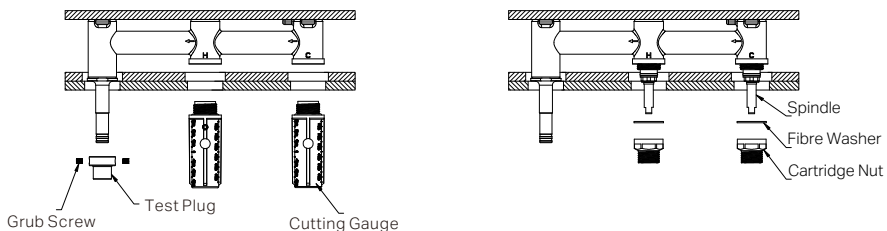


4. Install the tiles and drill three Ø35 mm holes as shown in the diagram.

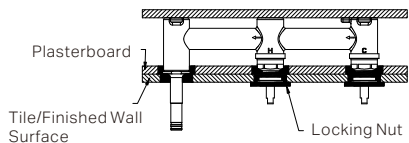
INSTALLATION STEPS FOR TRIM KITS



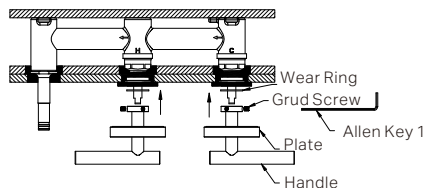
1. Unscrew the cartridge nuts from the cartridges.
2. Trim the cartridge nuts so it sits 1 mm recessed from the tile/finished wall surface.



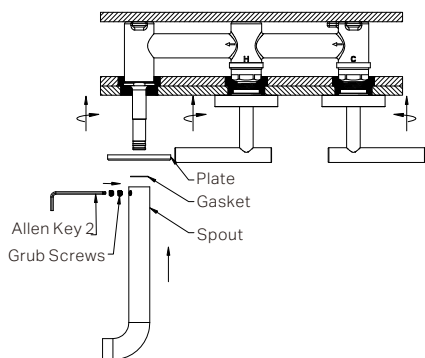
3. Remove the cutting gauge on both sides.
4. Remove the test plug from the outlet adapter.
5. Use a torque wrench to tighten the spindle firmly into the in-wall breech. Recommended torque: 6-8 N·m.
6. Place the fibre washer onto the cartridge rod.
7. Use a torque wrench to tighten the trimmed cartridge nut onto the cartridge rod. Recommended torque: 15-18 N·m.



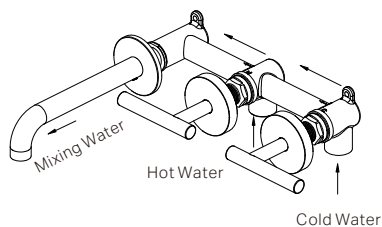
8. Secure the locking nut onto the cartridge nut.
9. Apply waterproofing between the gaps.



10. Fit the wear ring onto cartridge rod, and push-fit the handles (ensure the handles is correctly aligned).
11. Pull the plate back slightly to allow access, then tighten the grub screws.



12. Push the plate to the wall, then hand tighten clockwise.
13. Slide the plate, gasket onto outlet adapter, and push-fit the spout. Secure the spout with grub screws.
Note: Apply waterproofing around the mounting hole.



14. Turn on the water supply and check all connections for leaks.

FINAL INSPECTION:

- Ensure the product operates smoothly and that there are no leaks at the connections.
- Clean the area and the newly installed tap with a soft cloth to remove any installation residues.

MAINTENANCE AND CARE:

- Regularly check the product and connections for signs of wear or leaks.
- Clean the product with mild soapy water to maintain its appearance, avoiding harsh chemicals and abrasive materials that may damage the finish.

Nero

