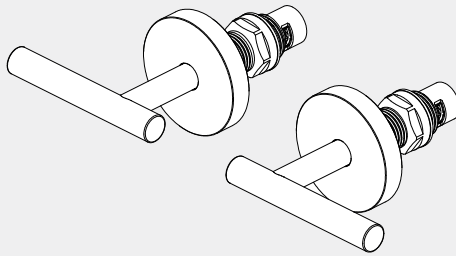


Mecca Lever Wall Top Assembly

Nero

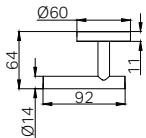


Lead Free



Version : 202511

Drawing



Specifications

Watermark License

WM-060073

Temperature Rating

Min 1 °C - Max 75 °C

Pressure Rating

Min 150kpa - Max 500kpa

Finish & SKU

 **Chrome**
25D012CH

 **Brushed Nickel**
25D012BN

 **Gun Metal**
25D012GM

 **Matte Black**
25D012MB

 **Brushed Gold**
25D012BG

 **Brushed Bronze**
25D012BZ

 **Matte White**
25D012MW

Packing Includes

2x Handle Set

1x Installation Kits

*Dimensions are nominal measurements only.

INSTALLATION INSTRUCTIONS

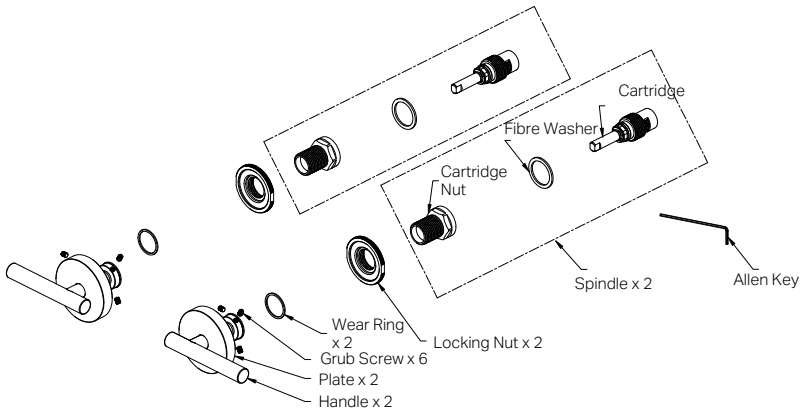
GENERAL INSTRUCTIONS:

- This product must be installed by a licensed plumber. Ensure that the installation complies with the Australian/New Zealand Standard AS/NZS 3500.
- All pipework must be thoroughly flushed prior to the installation of the mixer. In-line filters must be fitted on both hot and cold supplies to prevent foreign particles from damaging the ceramic cartridge.
- All outlets used primarily for personal hygiene must deliver water at a safe temperature in accordance with regional regulations.

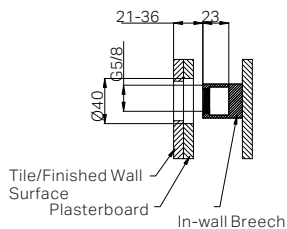
NOTE:

- Do not hydrostatic test the installation with this mixer installed. Damage to the ceramic cartridge may occur.
- Do not remove the ceramic cartridge from the mixer when installing.
- After installation, all connections must be checked for leaks.
- This mixer is not recommended for use in uncontrolled heating systems such as wet-backs or solar heating units unless a suitable tempering valve is fitted.
- If limited water flow is experienced, locate aerator and filter washers and clean away foreign material as required.
- It is the responsibility of the plumber to ensure a waterproof seal is achieved between the product and mounting surface. If in doubt about the quality of the seal, remove the product and reinstall.

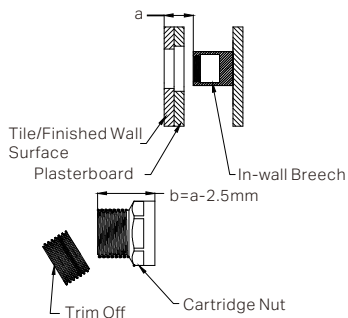
PARTS NAME



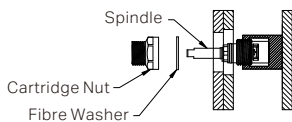
INSTALLATION STEPS



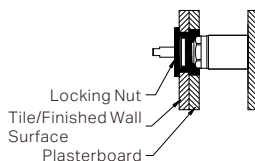
1. Install the in-wall breach as shown in the diagram.



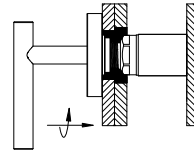
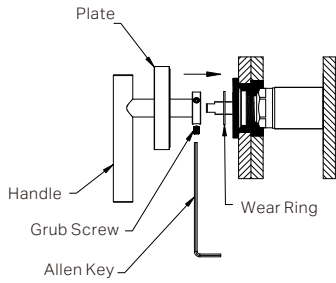
1. Unscrew the cartridge nuts from the cartridges.
2. Trim the cartridge nuts so it sits 2.5 mm recessed from the tile/finished wall surface.



5. Use a torque wrench to tighten the spindle firmly into the in-wall breach. Recommended torque: 6–8 N·m.
6. Place the fibre washer onto the cartridge rod.
7. Use a torque wrench to tighten the trimmed cartridge nut onto the cartridge body. Recommended torque: 15–18 N·m.

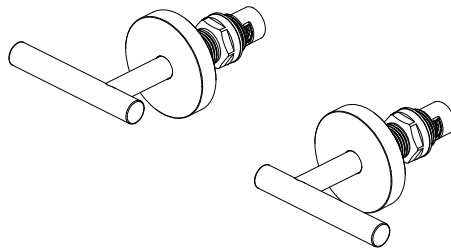


7. Tighten the locking nut onto the cartridge nut.
8. Apply waterproofing between the gaps.



9. Fit the wear ring onto cartridge rod, and push-fit the handles(ensure the handles is correctly aligned).
10. Pull the plate back slightly to allow access, then tighten the grub screws.

11. Push the plate to the wall, then hand tighten clockwise.
12. Repeat steps 1 to 11, ensuring the left and right handles are correctly positioned.



FINAL INSPECTION:

- Ensure the product operates smoothly and that there are no leaks at the connections.
- Clean the area and the newly installed tap with a soft cloth to remove any installation residues.

MAINTENANCE AND CARE:

- Regularly check the product and connections for signs of wear or leaks.
- Clean the product with mild soapy water to maintain its appearance, avoiding harsh chemicals and abrasive materials that may damage the finish.

Nero

