

Mecca

Nero

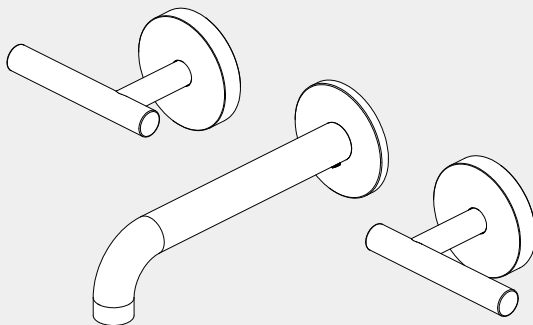
Lever Wall Basin/Bath Set

160mm/185mm/220mm

Trim Kits Only

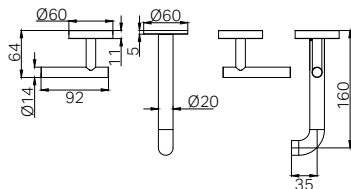


Lead Free



Version : 202511

Drawing



The length of Spout:
25D019: 160mm
25D020: 185mm
25D021: 220mm

Specifications

Watermark License

WM-060073

Temperature Rating

Min 1 °C - Max 75 °C

Pressure Rating

Min 150kpa - Max 500kpa

Finish & SKU

● **Chrome**

25D019CH/25D020CH
25D021CH

● **Matte Black**

25D019MB/25D020MB
25D021MB

● **Matte White**

25D019MW/25D020MW
25D021MW

● **Brushed Nickel**

25D019BN/25D020BN
25D021BN

● **Brushed Gold**

25D019BG/25D020BG
25D021BG

● **Gun Metal**

25D019GM/25D020GM
25D021GM

● **Brushed Bronze**

25D019BZ/25D020BZ
25D021BZ

*Dimensions are nominal measurements only.

Group Items

1x Trim Kits
1x Extra Full Flow Aerator
1x Installation Kits

INSTALLATION INSTRUCTIONS

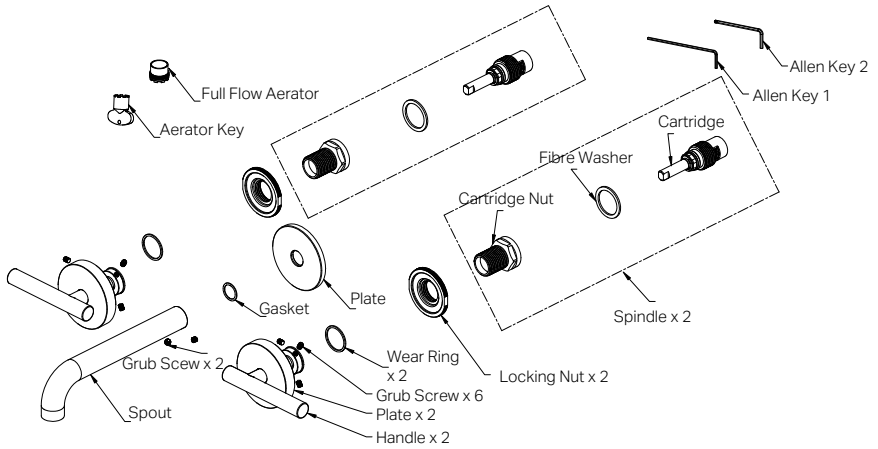
GENERAL INSTRUCTIONS:

- This product must be installed by a licensed plumber. Ensure that the installation complies with the Australian/New Zealand Standard AS/NZS 3500.
- All pipework must be thoroughly flushed prior to the installation of the mixer. In-line filters must be fitted on both hot and cold supplies to prevent foreign particles from damaging the ceramic cartridge.
- All outlets used primarily for personal hygiene must deliver water at a safe temperature in accordance with regional regulations.

NOTE:

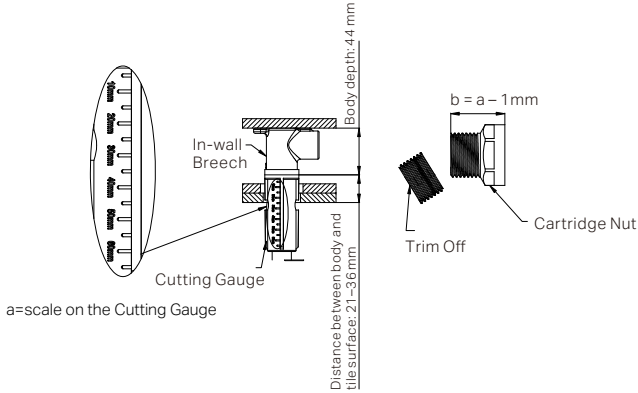
- Do not hydrostatic test the installation with this mixer installed. Damage to the ceramic cartridge may occur.
- Do not remove the ceramic cartridge from the mixer when installing.
- After installation, all connections must be checked for leaks.
- This mixer is not recommended for use in uncontrolled heating systems such as wet-backs or solar heating units unless a suitable tempering valve is fitted.
- If limited water flow is experienced, locate aerator and filter washers and clean away foreign material as required.
- It is the responsibility of the plumber to ensure a waterproof seal is achieved between the product and mounting surface. If in doubt about the quality of the seal, remove the product and reinstall.

PARTS NAME

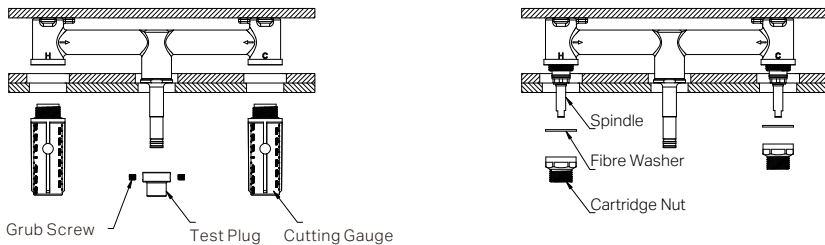


INSTALLATION STEPS

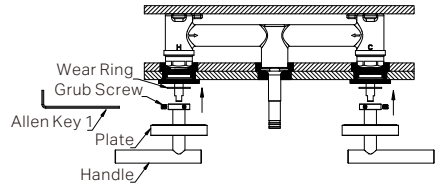
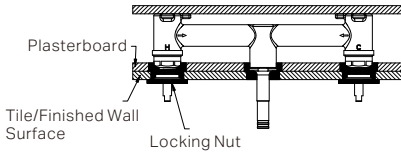
This trim kits is compatible with bodies 25D016 (center spout position) and 25D017 (offset spout position). The following instructions illustrate the installation procedure with mixer body 25D016. Installation with mixer body 25D017 is similar.



1. Unscrew the cartridge nuts from the cartridges.
2. Trim the cartridge nuts so it sits 1 mm recessed from the tile/finished wall surface.

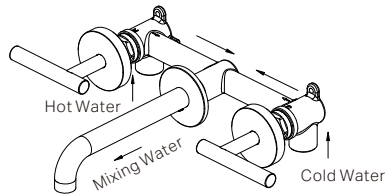
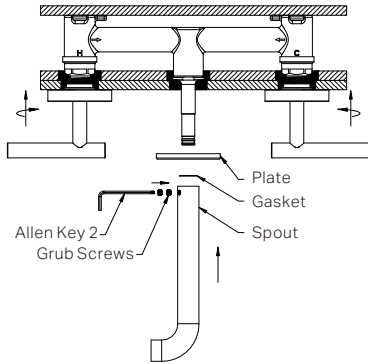


3. Remove the cutting gauge on both sides.
4. Remove the test plug from the outlet adapter.
5. Use a torque wrench to tighten the spindle firmly into the in-wall breech. Recommended torque: 6–8 N·m.
6. Place the fibre washer onto the cartridge rod.
7. Use a torque wrench to tighten the trimmed cartridge nut onto the cartridge rod. Recommended torque: 15–18 N·m.



8. Secure the locking nut onto the cartridge nut.
9. Apply waterproofing between the gaps.

9. Fit the wear ring onto cartridge rod, and push-fit the handles (ensure the handles is correctly aligned).
10. Pull the plate back slightly to allow access, then tighten the grub screws.



12. Push the plate to the wall, then hand tighten clockwise.
13. Slide the plate, gasket onto outlet adapter, and push-fit the spout. Secure the spout with grub screws.
Note: Apply waterproofing around the mounting hole.

14. Turn on the water supply and check all connections for leaks.

FINAL INSPECTION:

- Ensure the product operates smoothly and that there are no leaks at the connections.
- Clean the area and the newly installed tap with a soft cloth to remove any installation residues.

MAINTENANCE AND CARE:

- Regularly check the product and connections for signs of wear or leaks.
- Clean the product with mild soapy water to maintain its appearance, avoiding harsh chemicals and abrasive materials that may damage the finish.

Nero

