

# Mecca

# Nero

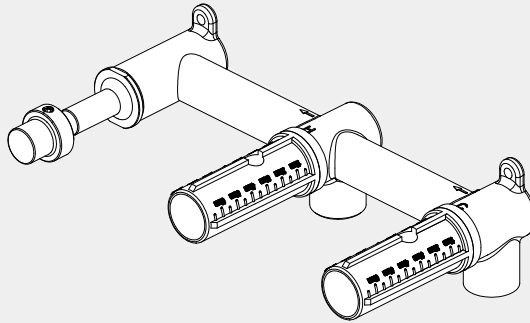
## Lever Wall Basin/Bath Set

### Offset Spout

### Body Only

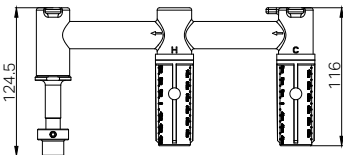
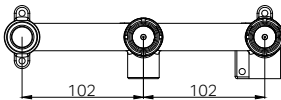


Lead Free



Version : 202511

#### Drawing



#### Specifications

**SKU**

25D017

**Watermark License**

WM-060073

**Temperature Rating**

Min 1 °C - Max 75 °C

**Pressure Rating**

Min 150kpa - Max 500kpa

#### Packing Includes

1x In-wall Breech

\*Dimensions are nominal measurements only.

## INSTALLATION INSTRUCTIONS

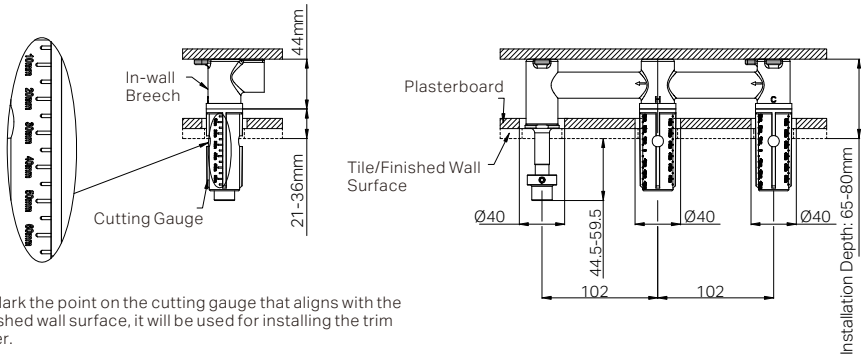
### GENERAL INSTRUCTIONS:

- This product must be installed by a licensed plumber. Ensure that the installation complies with the Australian/New Zealand Standard AS/NZS 3500.
- All pipework must be thoroughly flushed prior to the installation of the mixer. In-line filters must be fitted on both hot and cold supplies to prevent foreign particles from damaging the ceramic cartridge.
- All outlets used primarily for personal hygiene must deliver water at a safe temperature in accordance with regional regulations.

### NOTE:

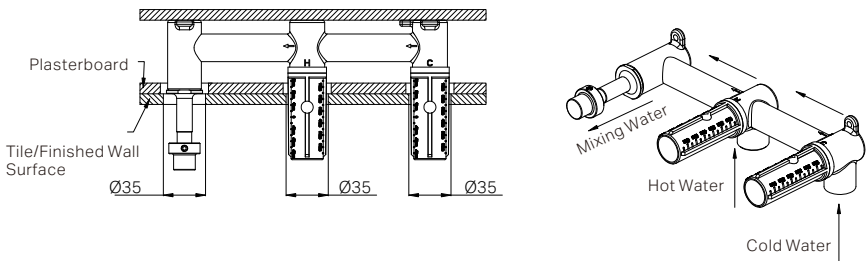
- Do not hydrostatic test the installation with this mixer installed. Damage to the ceramic cartridge may occur.
- Do not remove the ceramic cartridge from the mixer when installing.
- After installation, all connections must be checked for leaks.
- This mixer is not recommended for use in uncontrolled heating systems such as wet-backs or solar heating units unless a suitable tempering valve is fitted.
- If limited water flow is experienced, locate aerator and filter washers and clean away foreign material as required.
- It is the responsibility of the plumber to ensure a waterproof seal is achieved between the product and mounting surface. If in doubt about the quality of the seal, remove the product and reinstall.

## INSTALLATION STEPS



Note: Mark the point on the cutting gauge that aligns with the tile/finished wall surface, it will be used for installing the trim kits later.

1. Fix the in-wall breech onto the nogging, ensuring the installation depth is 65–80 mm from the tile/finished wall surface.
2. Connect the cold and hot water pipes, turn on the water supply for pressure testing, and ensure there are no leaks.
3. Install the plasterboard and drill three Ø40 mm holes as shown in the diagram.



4. Install the tiles and drill three Ø35 mm holes as shown in the diagram.

### FINAL INSPECTION:

- Ensure the product operates smoothly and that there are no leaks at the connections.
- Clean the area and the newly installed tap with a soft cloth to remove any installation residues.

# Nero

