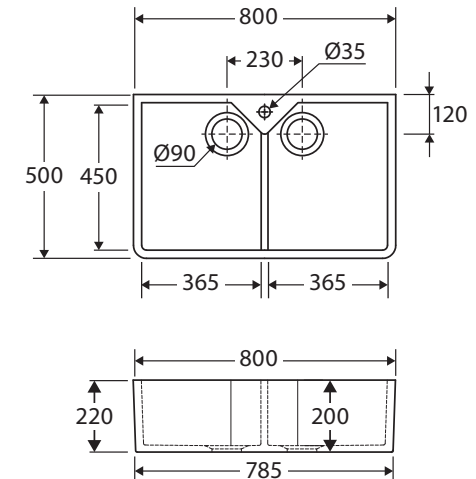


RAK Jacklyn DOUBLE BUTLER SINK

Features

- Alpine gloss white finish
- Flat front surface
- Glazed on all sides
- Made from fine fire clay ceramic
- Requires A3 waste with foam seal (available separately: A3SS-2, A3CM-2, A3CO-2, or A3RB-2)
- Undermount or flushmount installation (permanent support shelving required)
- Weight: 46kg



Please note: Butler sink measurements shown are a guide only.
For installation, measurements must be taken from physical product received.

Available in



Alpine Gloss White
No Tap Hole
RKS124



Alpine Gloss White
1 Tap Hole
RKS124-1

Cleaning & Care

- Wipe with a clean, soft cloth and mild soapy water or non-abrasive cleaner. Test in an inconspicuous area before cleaning the whole sink.
- Avoid placing hot objects, such as hair straighteners, on any surface as these will cause discolouration and marking.
- Spills of hair dye, after-shave lotion, nail polish and remover, aerosol spray and other harsh chemicals should be removed immediately to prevent damage and discolouration. Clean immediately with mild soapy water using a clean, soft cloth.

We aim to ensure that specifications are correct at the time of publication. All measurements are shown in millimetres. For ceramic products, please allow +/- 10 mm tolerance for manufacturing variance. Always use measurements of actual product received for final specification as the technical drawing may contain differences. Due to printing limitations, physical colour may vary from the image shown. Fienza reserves the right to make modifications without prior notice.