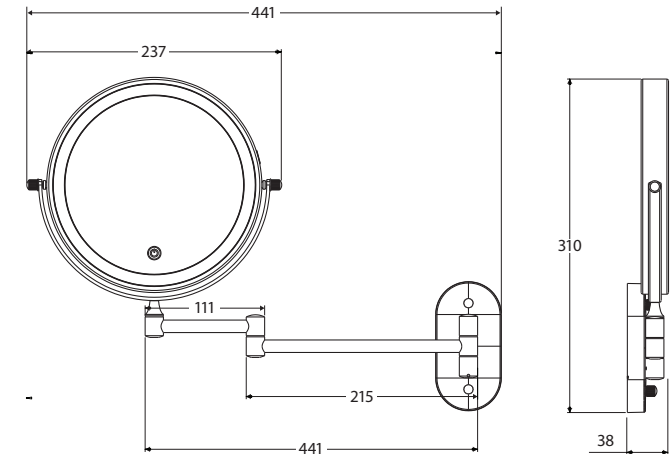


SWIVEL LED MAGNIFYING MIRROR 600 X 900MM

Features

- Mirror diameter: 168mm
- Adjustable swivel arm with maximum reach of 320mm
- Easily folds away when not in use
- 360 degree mirror head rotation
- Double sided mirror with 1x and 5x magnification
- Adjustable LED brightness
- Touch sensor switch
- Efficient 3.6w - 4.3w LED's (dependent on brightness)
- LED illumination on both mirror side
- Changeable colour temperature (3000, 4500 or 6000K)
- 4 hours continuous use (depending on brightness setting)
- LED light will automatically turn off after 30 minutes
- Inbuilt 2000mAh lithium battery
- Includes 1m USB charging cable, wall mounting screws and wall anchor plugs



Available in



Chrome
MM20



Brushed Nickel
MM20-BN



Matte Black
MM20-B



Urban Brass
MM20-UB

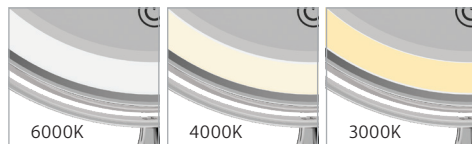
Cleaning & Care

Glass Mirror:

For best results, clean mirrors with a combination of 30% methylated spirits to 70% water and a soft, non-abrasive cloth designed for use on glass surfaces.

Frame:

- Regularly clean with mild soapy water using a microfibre cloth.
- In highly polluted or coastal locations, we recommend cleaning 2-3 times per week.
- Do not use harsh detergents, bleach, cream cleaners or citrus based cleaners. These substances are abrasive and will damage the surface.
- Do not use undue pressure and wipe in one direction only.



We aim to ensure that specifications are correct at the time of publication. All measurements are shown in millimetres. Always use measurements of actual product received for final specification as the technical drawing may contain differences. Due to printing limitations, physical colour may vary from the image shown. Fienza reserves the right to make modifications without prior notice.