

Stella Care RAIL SHOWER WITH PUSH/PULL SLIDER

Features

- Can be installed for AS 1428.1:2021 Accessible compliance
- Chrome finish
- Constructed to withstand 1100N force as per requirements
- **WELS 3 Star rated, 9L/min**

Rail:

- Antibacterial hygienic rubber seals
- Backflow prevention dual check/non-return valve
- Made from stainless steel
- Deluxe stainless steel elbow
- 1.5 metre matte black PVC hose

Push/Pull Shower Slider (MST119):

- Smooth sliding action to easily adjust height and angle of hand shower
- Designed to provide handheld shower support and movement ideal for disabled and wheelchair users
- Self-locking
- Ergonomic easy grip handle with 383 mm length for easy access by seated users
- Suits 32 mm diameter rail
- Made from solid brass

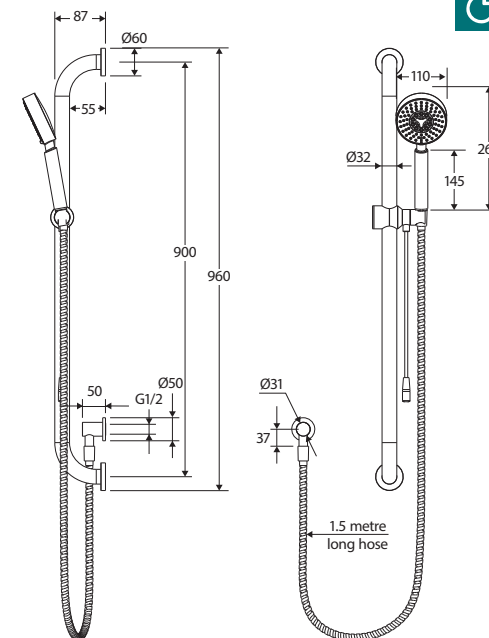
MICHELLE Multifunction Hand Piece (MSH017):

- Five water-flow settings: normal, massage, misting, spray and massage, and spray and misting
- Easy to clean TPR nozzles
- Made from ABS

We aim to ensure that specifications are correct at the time of publication. All measurements are shown in millimetres. Always use measurements of actual product received for final specification as the technical drawing may contain differences. Due to printing limitations, physical colour may vary from the image shown. Fienza reserves the right to make modifications without prior notice.



Please note:
This product may have a visible Watermark logo.



Available in



Chrome
444112P

Cleaning & Care

- Regularly clean with mild soapy water using a microfibre cloth.
- In highly polluted or coastal locations, we recommend cleaning 2-3 times per week.
- Do not use harsh detergents, bleach, cream cleaners or citrus based cleaners. These substances are abrasive and will damage the surface.
- Do not use undue pressure and wipe in one direction only.

