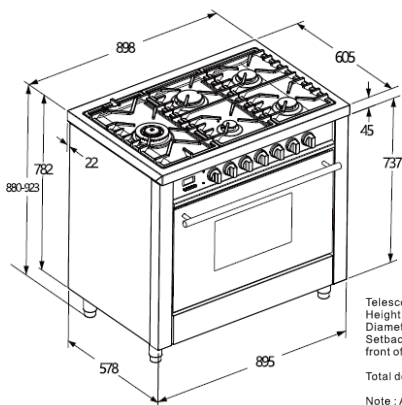


Freestanding Dual Fuel Oven XXL 109 Litre

Model: OFS9031



- Dual fuel, multifunction electric oven + 5 gas burners with 3.6kW triple crown wok
- New E.E.B Energy Efficient Burners for rapid heat at less cost
- Stunning mirror polished stainless steel construction
- 10 functions, dual point lighting, electronic timer and clock
- Commercial grade cast iron pan supports
- Under knob electronic, one touch auto ignition
- Convection Hot Air Frying capable
- 34 litre convenient stainless steel storage drawer
- Safety cool oven door, 3 sheets of glass
- Flame safe protection
- Tangential cooling fan
- 2 wire racks and baking tray with wire insert
- 2 telescopic sliding shelves
- Maxi Flow adjustment provides 27% more flame control



Telescopic legs:
Height: min 101mm - max 144mm
Diameter: 51mm
Setback (Distance between front of oven and front of leg): 72mm.
Total depth of unit when door is open: 1012mm.
Note: All dimensions in mm.
Dimension tolerance: ± 2mm.



Flame Safe



Traditional cooking:
upper and lower
heating elements
Pizza and Bread



Pastry:
lower heating element



Energy Efficient
Burners



Fan assisted upper
heating element



Dual Mount
Lighting



Natural Gas
and LPG



Fan assisted lower
heating element



Defrosting: fan



Maxi Flow



Baking: fan forced



Gratin:
ventilated grill



Programmed
Cooking



Browning:
upper heating element



Full Grill



Convection Hot
Air Frying



Enamel



5
YEAR
WARRANTY

These dimensions are provided as a general guide only and should not be used for designing or constructing cabinetry or for installation.

To obtain full installation instructions for this appliance go to kleenmaid.com.au and click on User Care Manuals, top right.

Level 2, 204 Botany Road, Alexandria NSW, 2015
P: 02 9310 1207 • E: support@kleenmaid.com.au
www.kleenmaid.com.au

kleenmaid
The best you can own

I/N: TBA

J14442_01

