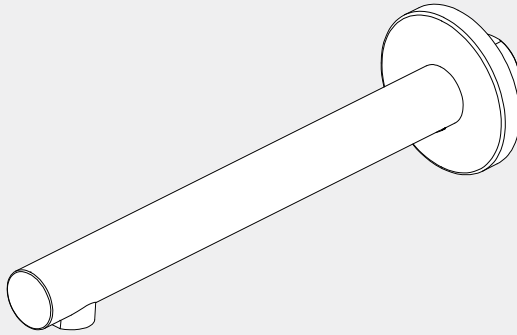


Dolce II Basin/Bath Spout II Only

Nero



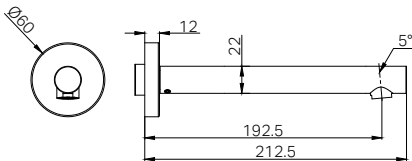
Lead Free



Version : 202604



Drawing



Specifications

Watermark License

WM-060073

Temperature Rating

Min 1 °C - Max 75 °C


Pressure Rating

Min 150kpa - Max 500kpa

Packing Includes

- 1 x Spout
- 1 x Back Plate
- 1 x Aerator Spanner
- 1 x Extra Aerator(Without Flow Restrictor)
- 1 x Allen Key
- 1 x G1/2 Spout Adapter

Finish & SKU

 **Chrome**
25B018CH

 **Matte Black**
25B018MB

 **Gun Metal**
25B018GM

 **Brushed Gold**
25B018BG

 **Brushed Nickel**
25B018BN

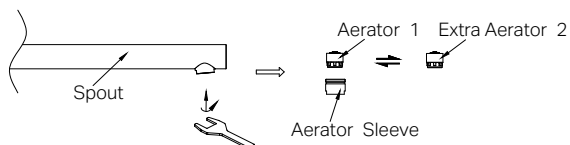
*Dimensions are nominal measurements only.

INSTALLATION INSTRUCTIONS

GENERAL INSTRUCTIONS

- This product must be installed by a licensed plumber. Ensure that your plumbing installation conforms to the Australian/New Zealand Standard AS/NZS 3500.
- All pipework must be thoroughly flushed prior to the installation of the mixer. In-line filters must be fitted on both hot and cold supplies to prevent foreign particles from damaging the ceramic cartridge.
- All outlets used primarily for personal hygiene must deliver water at a safe temperature in accordance with regional regulations.

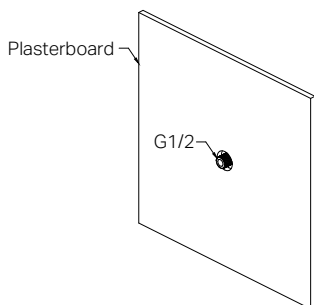
REPLACING THE AERATOR



Note:

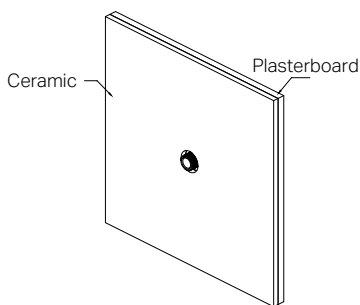
Apply the aerator to the spout with the coin. The flow rate of the aerator 1 is low, recommend you apply it for basin spout. The flow rate of the extra aerator 2 is higher, recommend you apply it for bath spout.

INSTALLATION STEPS

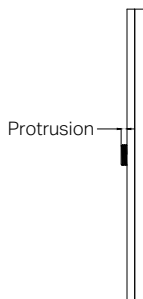


1. Drill a $\text{Ø}30\text{-}\text{Ø}40$ hole through the plasterboard for the G1/2 outlet thread.

2. Apply waterproof to the gap between the plasterboard and the outlet thread.

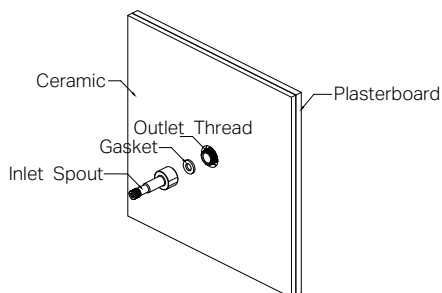


3. Drill a $\text{Ø}30\text{-}\text{Ø}40$ hole through the ceramic for the G1/2 outlet thread.

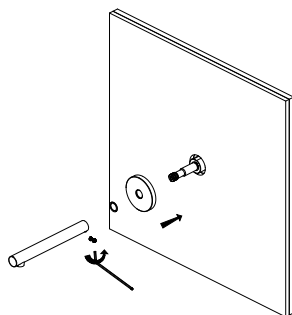


4. Trim the G1/2 outlet thread by the protrusion.

Wall Thickness	Protrusion
6mm	6mm
10mm	3-6mm
20mm	0-6mm



5. Apply the filter gasket to the inlet thread and then connect the inlet and outlet thread. Attach the G1/2 spout adapter to the outlet thread, ensuring that the rubber washer is properly seated inside the adapter as illustrated in the figure.



6 Apply the plate to the inlet and then install the wear ring to the ceramic surface.

7. Install the spout to the inlet thread and tighten it with grub screws using the Allen key.

MAINTENANCE AND CARE

- Regularly check the mixer and connections for signs of wear or leaks.
- Clean the tap with mild soapy water to maintain its appearance, avoiding harsh chemicals and abrasive materials that may damage the finish.

FINAL INSPECTION

- Ensure the tap operates smoothly and that there are no leaks at the connections.
- Clean the area and the newly installed tap with a soft cloth to remove any installation residues.

Nero

