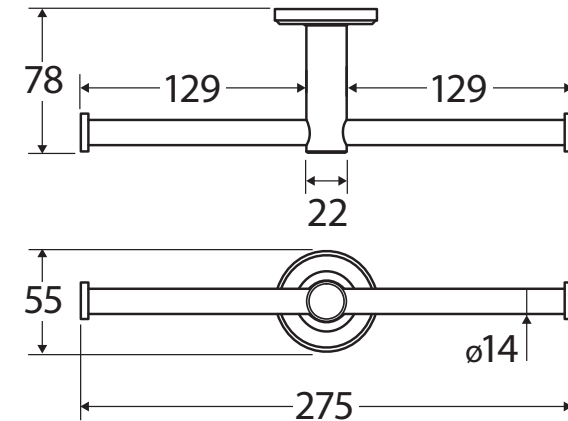
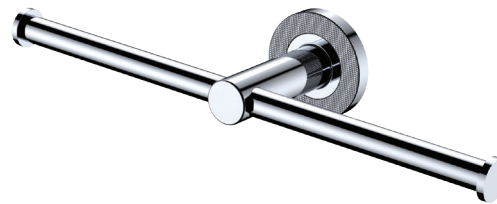


Axle®

DOUBLE TOILET ROLL HOLDER

Features

- Industrial cross-hatched cover plate
- Super strong 4-point wall mount
- One side is removable for mounting cover plate
- Fully concealed fixings
- Made from stainless steel
- Hex key not required for installation



Available in



Electroplated
Chrome
83109



Electroplated
Matte Black
83109MB



PVD
Brushed Nickel
83109BN



PVD
Gun Metal
83109GM

Cleaning & Care

- Regularly clean with mild soapy water using a microfibre cloth.
- In highly polluted or coastal locations, we recommend cleaning 2-3 times per week.
- Do not use harsh detergents, bleach, cream cleaners or citrus based cleaners. These substances are abrasive and will damage the surface.
- Do not use undue pressure and wipe in one direction only

We aim to ensure that specifications are correct at the time of publication. All measurements are shown in millimetres. Always use measurements of actual product received for final specification as the technical drawing may contain differences. Due to printing limitations, physical colour may vary from the image shown. Fienza reserves the right to make modifications without prior notice.