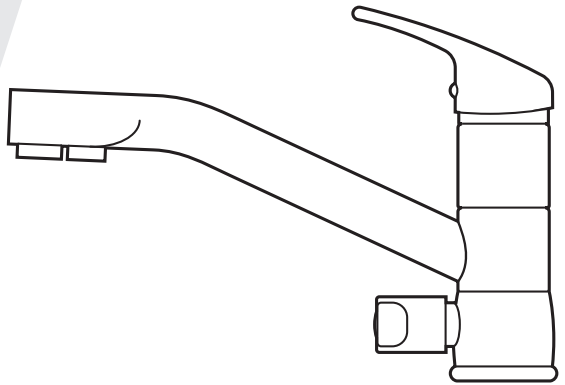




Puretec[®]
PERFECTING WATER



User Guide

Tripla[™]

Puretec Tripla[™] | Triple Action Tapware



WaterMark
CERT NO. 23033
AS/NZS 3718:2005

JUL2020

For correct operation & installation, it is essential to observe these instructions.

What's inside

Operation.....	2
Servicing.....	3
Technical Information.....	3
Recommended Working Pressures.....	3
Installation Guide.....	4
Assembly.....	5
Water Connection Patterns.....	6
Battery Installation.....	7
Replacement of Ceramic Disc Cartridge(s).....	7
Tripla T1 Parts Description.....	8
Tripla T2 Parts Description.....	9
Tripla T3 Parts Description.....	10
Tripla T4 Parts Description.....	11
Tripla T5 Parts Description.....	12
Tripla T6 Parts Description.....	13
Warranty.....	14

Puretec Customer Service

Thank you for purchasing a Puretec Tripla. Your tap is manufactured from only quality materials and will last for years, if maintained and installed properly.

The system is designed for metropolitan supply water but can be used in other situations. For other types of water supply please contact your local Puretec stockist or call our Puretec Customer Service Helpline prior to installing the tap.

Customer Service Helpline **1300 140 140** (Australia) **0800 130 140** (New Zealand)



WARNING!

This product contains a button battery. Accidental ingestion may occur and can be fatal. Please keep out of reach from infants. If you suspect an accidental ingestion please contact emergency services.

Operation

Chrome Plated Surface - should only be cleaned with liquid detergent or soap and water. Under no circumstance should any abrasive or acid base cleaning agents be used.

Servicing

Periodically clean the aerator for any lodged sediment that may restrict flow. A Puretec water filter is highly recommended for product longevity.

Should it be necessary to have your mixer serviced while under warranty, please carry out the following procedure:

1. Firstly call the plumber, preferably the one that has installed it, (most problems are caused by the supply lines not being cleaned out properly, prior to connecting the mixers).
2. Make sure that the plumber has installed your mixer according to the Instruction Guide.
3. If the plumber is satisfied that he cannot rectify the problem then contact your plumbing supply store or your local Puretec stockist.

Important: We do not recommend the dismantling of any internal part of the mixer purely to see what is inside as this will breach your warranty.

Technical Information

Puretec mixers can be used in conjunction with:

- Pressure storage hot water system
- Any mains water pressure not exceeding 500 kPa
- Maximum hot water temperature of 60°C
- Instantaneous hot water system

Recommended Working Pressures

- Minimum working pressure 50 kPa (7.5 PSI)
- Maximum working pressure 500 kPa

It should be noted that water mains pressure builds up during off peak periods, mainly at night, sometimes doubling or trebling normal daytime pressures.

Note: Not suitable for unequal pressure. On high pressure areas where the pressure exceeds the recommended working pressure as indicated above pressure limiting valves must be installed or warranty is voided.

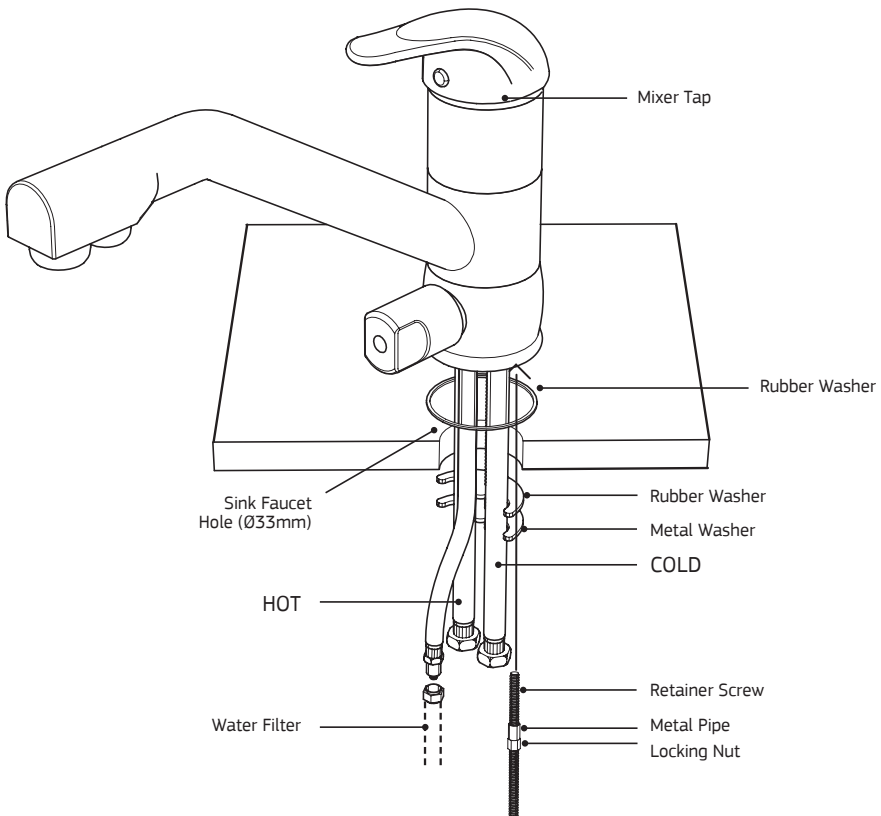
Installation Guide

Installation Note: A water filter system/tap, like any product, has a limited life and may eventually fail. Also sometimes failure happens early due to unforeseen circumstances. To avoid possible property damage, this product should be regularly examined for leakage and/or deterioration and replaced when necessary. A drain pan, plumbed to an appropriate drain or outfitted with a leak detector, should be used in those applications where any leakage could cause property damage, and/or the water supply should be turned off if no one is home/present.

INSTALLATION MUST BE COMPLETED BY A LICENCED PLUMBER. FAULTY OPERATION DUE TO UNQUALIFIED PERSONS WILL RESULT IN VOIDED WARRANTY COVERAGE.

Note: It is important to flush out the supply pipes to the mixer before connecting the flexible hoses, with the initial installation, so no foreign matter can enter into the cartridges.

A Puretec Water Filter is highly recommended for product longevity.

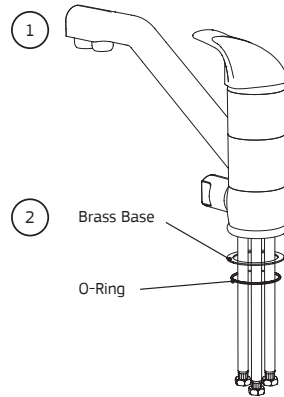


Assembly

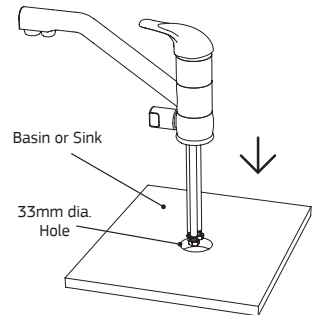
Step 1. Connect the hoses to the faucet and tighten them.

Only use hand to screw the flexible hose. Do not over tight. Don't use any tools.

Step 2. Put Brass Base with O-Ring to the bottom of the faucet.

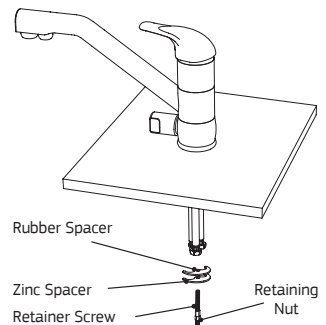


Step 3. Put the hoses through the Basin or Sink. Required through hole size is $\varnothing 33\text{mm}$.



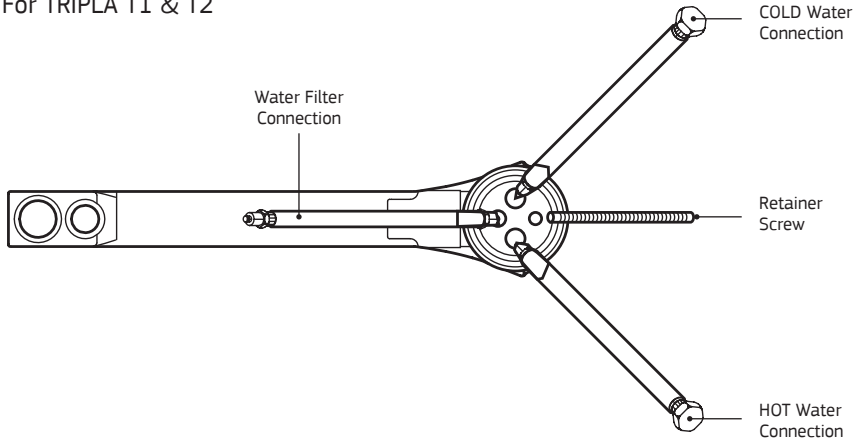
Step 4. Place the Retainer Screw through the hole in each Spacer and screw to the hole on the bottom of the faucet.

Then, use a wrench to lock the Retainer Nut.

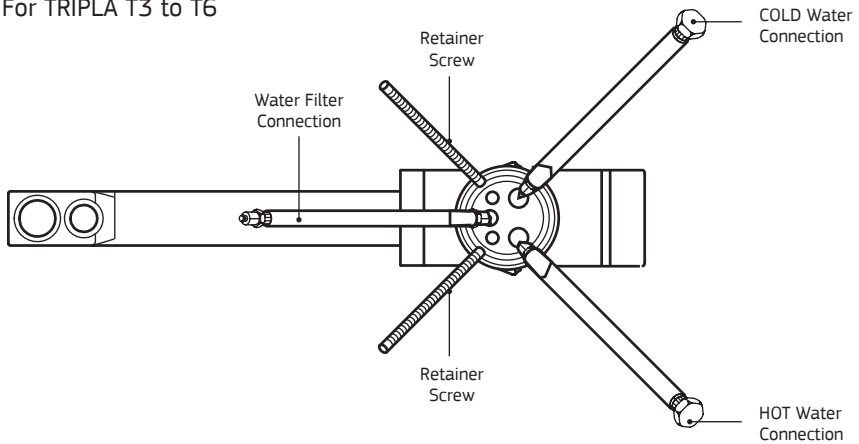


Water Connection Patterns

For TRIPLA T1 & T2



For TRIPLA T3 to T6



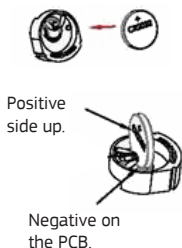
Battery Installation - LED reminder light

Important note: Battery must be replaced when changing cartridges. **WARNING!** This product contains a battery. Accidental ingestion may occur and can be fatal. Please keep out of reach from infants. If you suspect an accidental ingestion please contact emergency services.

1. Remove the black battery seat from the faucet canopy.



2. Install battery into the battery seat, positive side up.

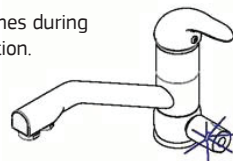


Note: Red light flashes twice and then followed by the blue light.



3. Reinstall battery seat assembly into the faucet canopy.

4. Blue light flashes during normal operation.

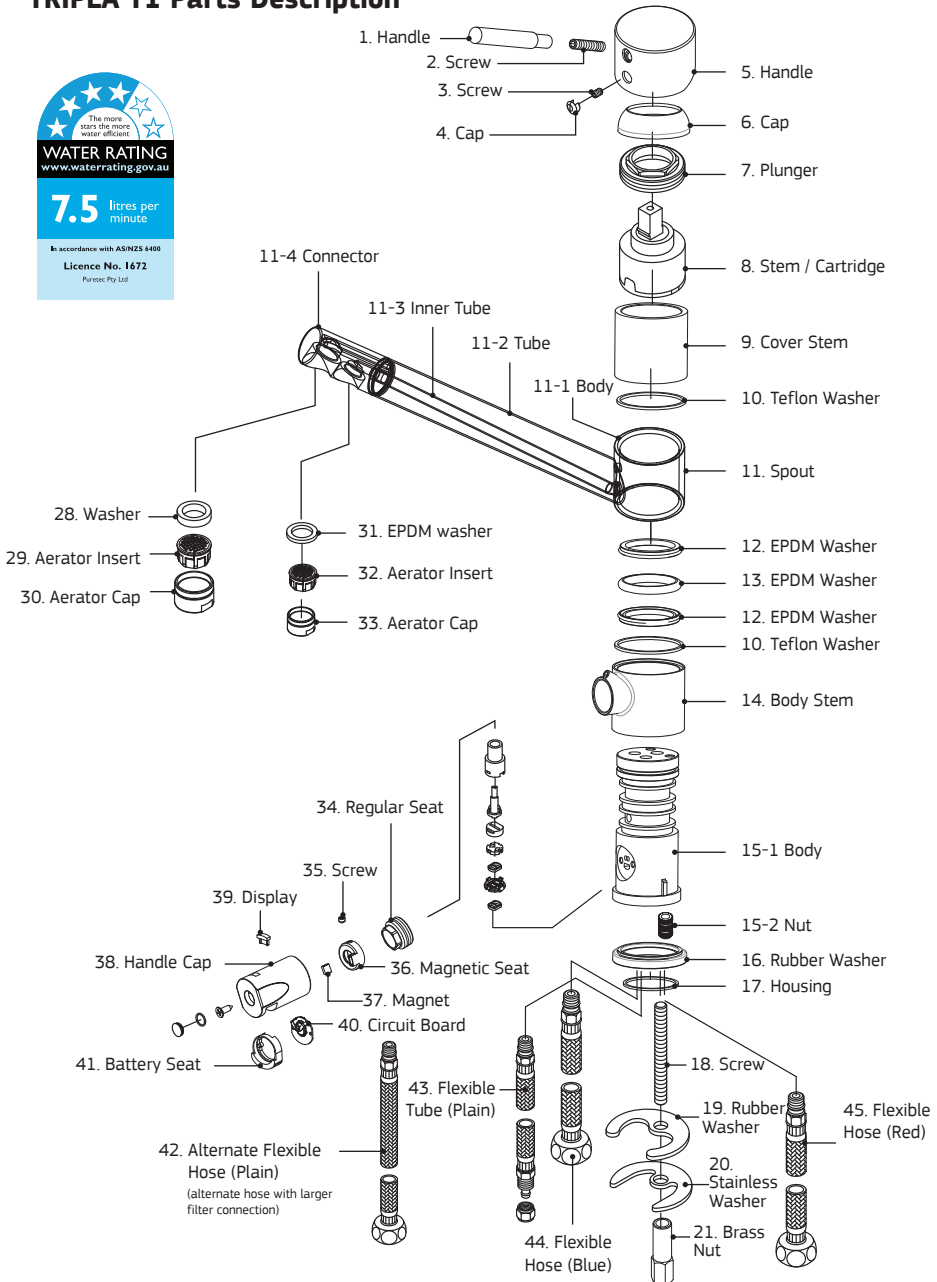


5. Red light flashes indicates your cartridges are due to be changed (usage has exceeded 3,000 minutes or 12 months). **Please change the battery when changing the filter cartridge(s).**

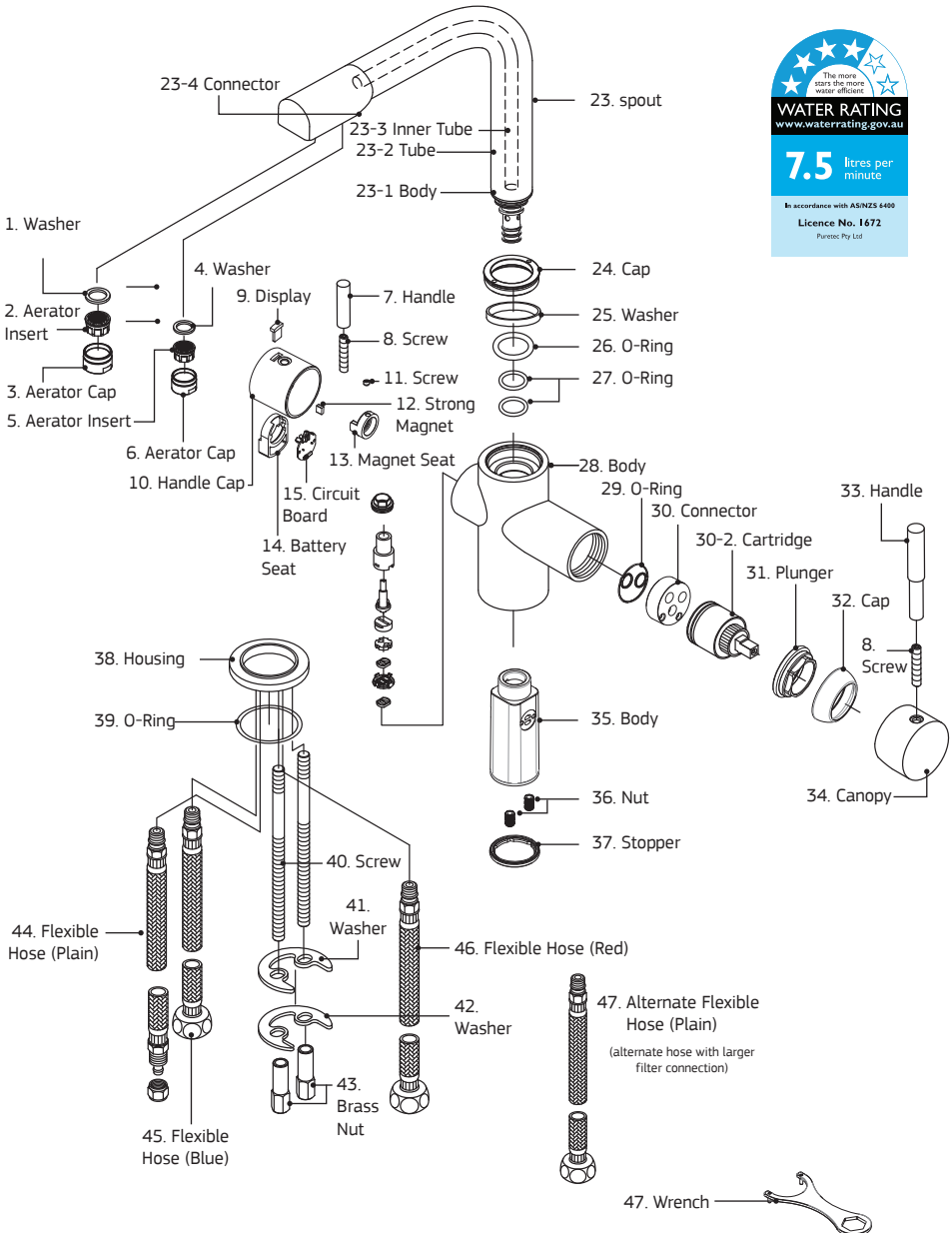
Replacement of Ceramic Disc Cartridge(s)

1. Hot/Cold Outlet
 - Remove hot and cold water indicator then release screw in lever and lift lever off, now you can unscrew dome cap and loosen the cartridge lock nut.
 - Lift out old cartridge and clean inside making sure no old O-rings are still stuck inside cartridge housing.
 - Insert new cartridge making sure O-rings on bottom of new cartridge have not fallen off and lugs in bottom of cartridge line up with holes in cartridge housing.
 - Now you can tighten lock nut with a torque wrench to 14 newton meters, then reinstall dome cap, lever screw and hot and cold water indicator.
2. Filtered/Rain Ancillary Outlet
 - Remove front button cover using fine-edged 1.2mm screwdriver.
 - Unscrew handle then remove cartridge by unscrewing it anti-clockwise, using 5/8" socket. Install cartridge by completing removal instructions as above, in reverse order.
 - Ensure cartridge is firmly tightened not over tightened.

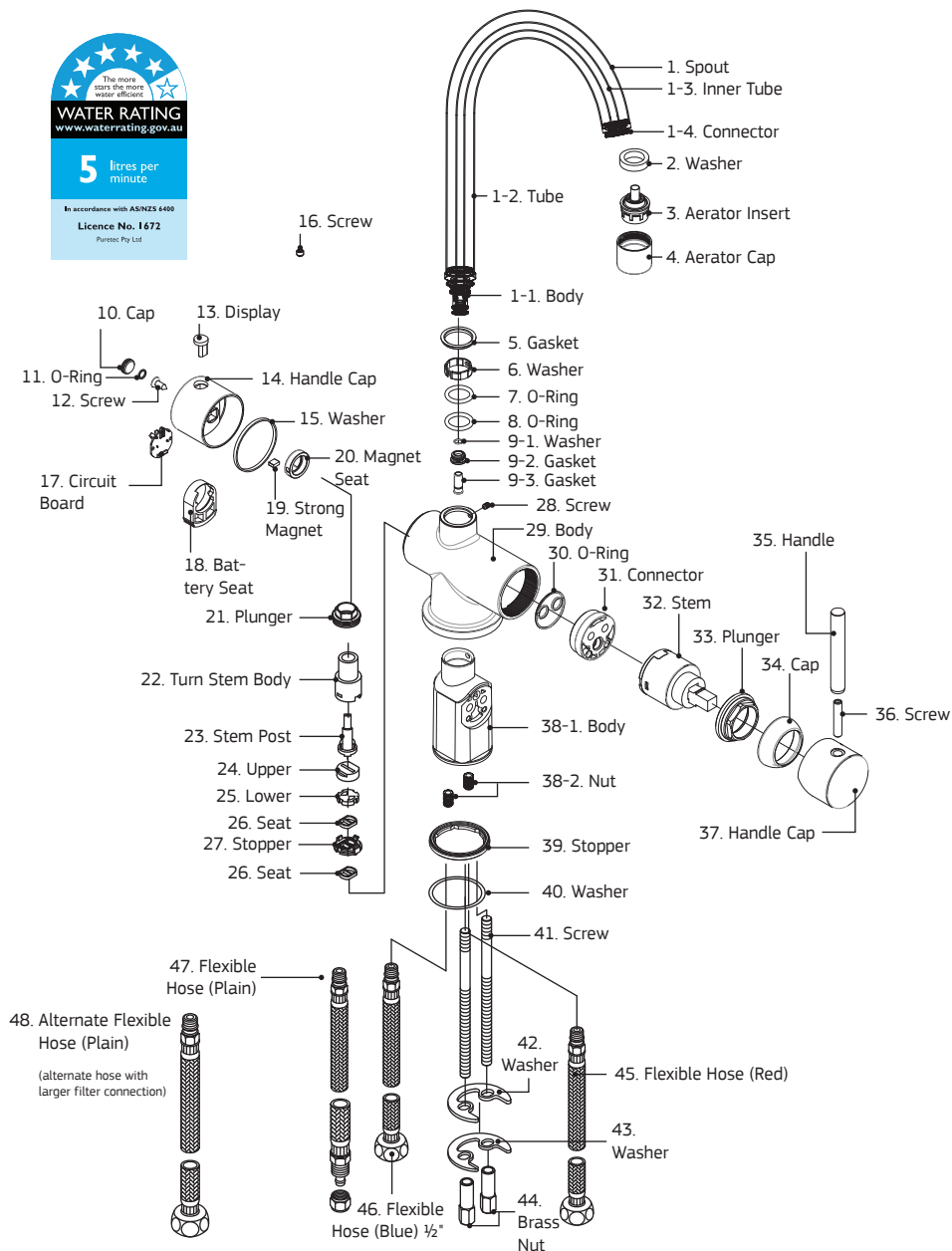
TRIPLA T1 Parts Description



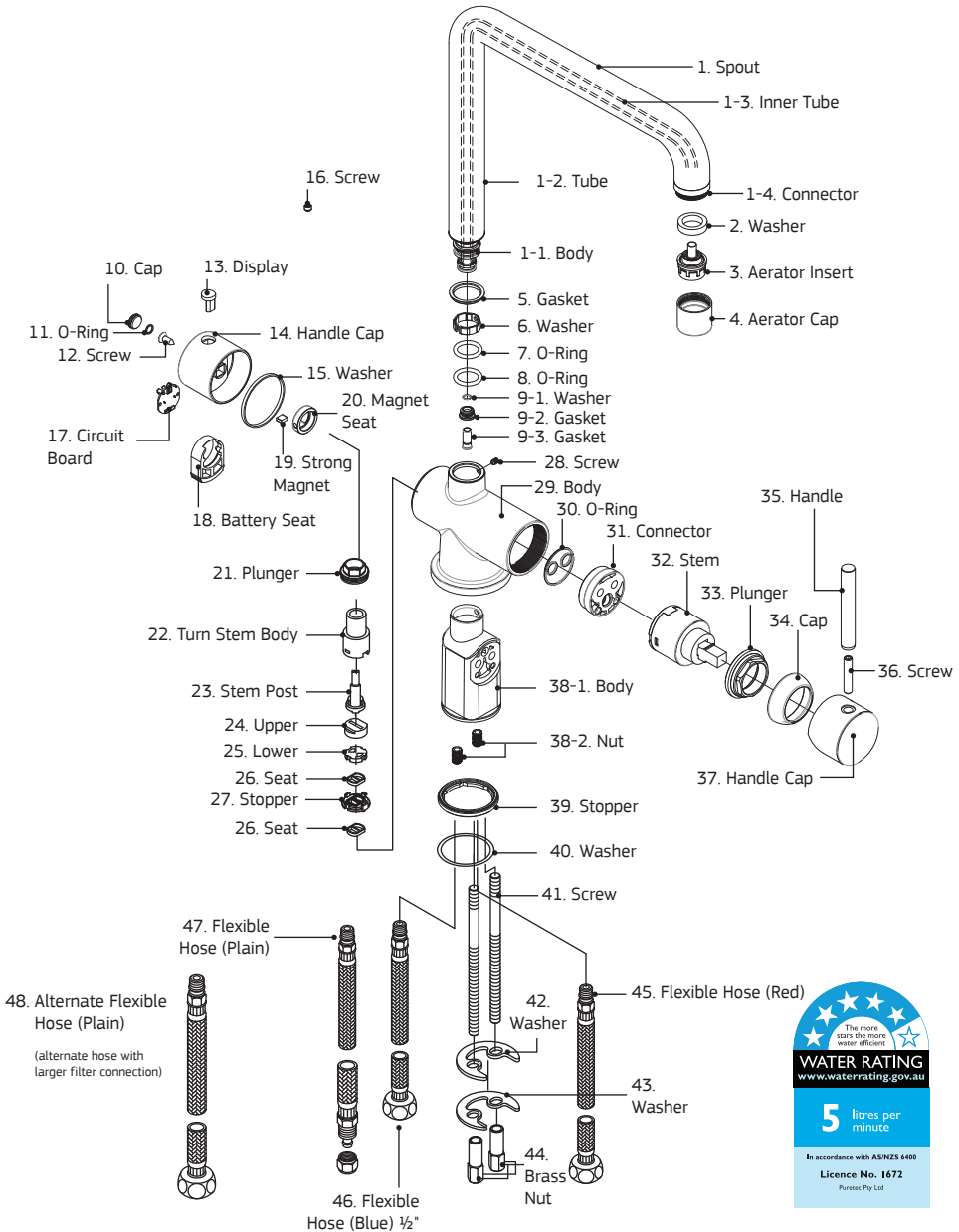
TRIPLA T3 Parts Description



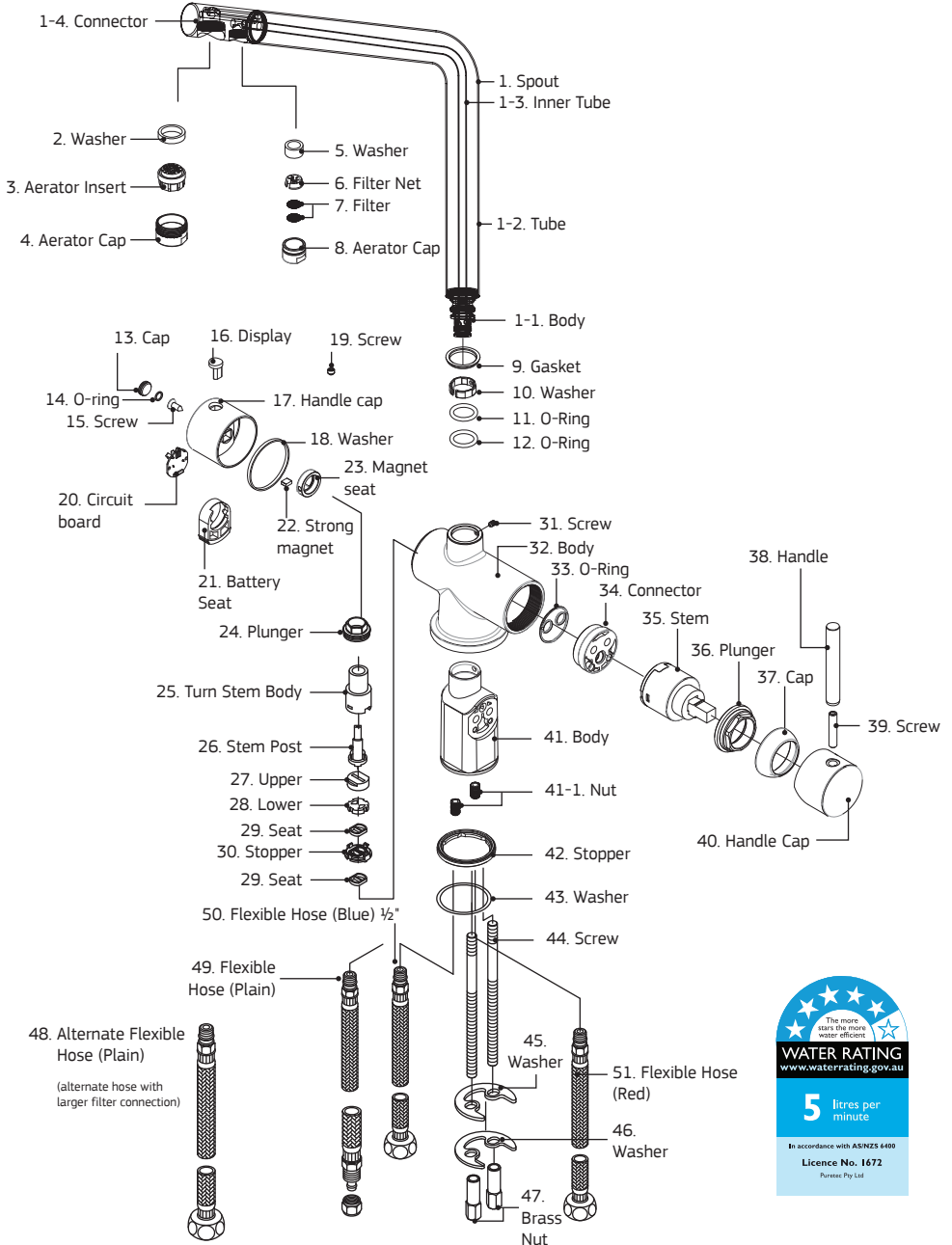
TRIPLA T4 Parts Description



TRIPLA T5 Parts Description



TRIPLA T6 Parts Description



Notes

The complete range of Puretec products are developed, refined and made to meet and exceed stringent specifications for the worldwide market.

Important Note: Sales of products are subject to our Terms & Conditions which are available upon request. All specifications, prices and photos are a guide only and are subject to change without notice. Please ring to confirm details. Do not use products with microbiological unsafe water without adequate disinfection. Under normal circumstances a pressure limiting valve is not required. If incoming water pressure is excessive it may however be necessary to install an approved pressure limiting valve. Maximum flow depends on cartridge, vessel, pressure, impurities etc.

Installation Note: A water filter system/tap, like any product, has a limited life and may eventually fail. Also sometimes failure happens early due to unforeseen circumstances. To avoid possible property damage, this product should be regularly examined for leakage and/or deterioration and replaced when necessary. A drain pan, plumbed to an appropriate drain or outfitted with a leak detector, should be used in those applications where any leakage could cause property damage, and/or the water supply should be turned off if no one is home/present.

Warranty

This warranty commences from the date of purchase. To make a claim under the warranty, take the product and proof of purchase to place where you purchased the product, and they will lodge a Warranty Request with Puretec. In addition to the guaranties provided under the law, Puretec offer warranties as follows: 6 year warranty is 1 year parts and labour, plus 5 years parts only.

Puretec will pay your reasonable, direct expenses of claiming under this warranty. You may submit details and proof of your expense claim to place of purchase for consideration.

The warranty only applies if the product was used and/or installed in accordance with the user guide and/or installation instructions. This warranty is given in lieu of all other express or implied warranties and manufacturer shall in no circumstance be held liable for damages consequential or otherwise or delays caused or faulty manufacturing except as excluded by law.

Applicable to all above, is that the warranties need to be approved by Puretec to ensure product was not incorrectly used, installed or claimed. False and incorrect claims will be pursued at Puretec's discretion, including chargeable inspection and labour costs incurred.

All installation and service work should be completed by qualified tradespeople. Faulty operation due to unqualified persons will result in voided warranty coverage.

Warranty/Australia

This warranty is given by Puretec Pty Ltd, ABN 44 164 806 688, 37-43 Brodie Road, Lonsdale SA 5160, telephone no. 1300 140 140 and email at sales@puretec.com.au.

This warranty is provided in addition to other rights and remedies you have under law: Our goods come with guarantees which cannot be excluded under the Australian Consumer Law. You are entitled to replacement or refund for a major failure and to compensation for other reasonably foreseeable loss or damage. You are also entitled to have the goods repaired or replaced if the goods fail to be of acceptable quality and the failure does not amount to a major failure.

Warranty/New Zealand

This warranty is given by Puretec Ltd, Reg. No 4464398, PO Box 875 Cambridge 3450 NZ, telephone no. 0800 130 140 and email at sales@puretec.co.nz.

This warranty is provided in addition to other rights and remedies you have under law: Our goods come with guarantees which cannot be excluded under the Consumer Guarantees Act. You are entitled to replacement or refund for a major failure and to compensation for other reasonably foreseeable loss or damage. You are also entitled to have the goods repaired or replaced if the goods fail to be of acceptable quality and the failure does not amount to a major failure.

Register Your Warranty Online

In order to register your warranty online you must do so within 30 days of your product purchase.

Follow these 3 simple steps:

1. Go to **puretecgroupp.com/warranty**
2. Enter the required details and hit submit.
3. You will receive an email confirming your warranty.

Authorization code: 1874752

Terms and conditions apply. Proof of purchase must be retained.

Go to **puretecgroupp.com** for full details.



Puretec[®]
PERFECTING WATER

AUSTRALIA

P 1300 140 140

E sales@puretec.com.au

W puretec.com.au

NEW ZEALAND

P 0800 130 140

E sales@puretec.co.nz

W puretec.co.nz